

Potentiometric Displacement Sensors

Models 8710, 8711

Code:	8710 EN
Delivery:	ex stock
Warranty:	24 months



- Measurement ranges 0 ... 25 mm to 0 ... 150 mm
- Non-linearity: max. $\pm 0.05\%$
- Duration: 10^8 operations
- Displacement speed: up to 10 m/s
- Drive free of lateral forces caused by ball joint coupling
- Integrated cable or plug connection

Application

Displacement sensors models 8710 and 8711 with resistance tracks made of conductive plastic material are designed for a direct and accurate measuring of mechanical displacements. A special ball joint coupling is mountable on both ends of the driving rod. Because of this the sensor may be used free of clearance or lateral forces also with angular or parallel misalignment between sensor and measuring device. A special multi-fingered slider provides a good electrical contact also at high adjustment speeds or vibrations.

Areas of application are:

- ▶ Electromagnets
- ▶ Switch and button deflections
- ▶ Pneumatic cylinders
- ▶ Press-fits (longitudinal press-fits)
- ▶ Hydraulic cylinders
- ▶ Measurements of deformation and bending
- ▶ Length tolerances
- ▶ Feeding paths

Description

Due to the technology employed in potentiometric displacement sensors, they always operate with a sliding contact system. Special processes are applied to give the resistance tracks low friction, low tendency to stick/slip, resistance to abrasion and long-term stability.

The driving rods are guided in long-life, low-friction sliding bearings with close tolerances; this results in highly precise measurements. Lateral forces reduce the service life and can be avoided by using, for instance, ball joint couplings, included in the burster product range.

Due to the pump effect, the driving rod has double sliding bearings.

Mounting

The sensor is mounted at the left and right longitudinal slot by four mounting angles.

These slots ($W = 2.2\text{ mm}$, $D = 1.6\text{ mm}$) are closed at the side of the electrical connector.

Technical Data

* without mounting parts ** total mechanical deflection

Order Code	Measuring Range [mm]	Non Linearity *	Dimensions [mm]			Dissipation at 40 °C (0W at 120 °C)	Total Weight	Moveable Weight
			A	B **	C			
8710 - 25	0 ... 25	± 0.2 % F.S.	63	30	107	0.6 W	83	32
8710 - 50	0 ... 50	± 0.1 % F.S.	88	55	157	1.2 W	102	40
8710 - 75	0 ... 75	± 0.1 % F.S.	113	80	207	1.8 W	121	48
8710 - 100	0 ... 100	± 0.1 % F.S.	138	105	257	2.5 W	140	56
8710 - 150	0 ... 150	± 0.1 % F.S.	188	155	357	3.6 W	178	72
8711 - 25	0 ... 25	± 0.2 % F.S.	63	30	107	0.6 W	83	32
8711 - 50	0 ... 50	± 0.1 % F.S.	88	55	157	1.2 W	102	40
8711 - 75	0 ... 75	± 0.1 % F.S.	113	80	207	1.8 W	121	48
8711 - 100	0 ... 100	± 0.1 % F.S.	138	105	257	2.5 W	140	56
8711 - 150	0 ... 150	± 0.05 % F.S.	188	155	357	3.6 W	178	72

Electrical values

Resistance: measurement range 25 mm 1 kΩ
 measurement ranges 50 ... 150 mm 5 kΩ
 Tolerance of resistance: ± 20 %
 Max. voltage: measurement range 25 mm 25 V DC
 measurement ranges 50 ... 150 mm 60 V DC
 Operating current in slider circuit: recommended < 0.1 μA
 maximum 10 mA
 (> 0.1 μA: negative influence to linearity and duration)
 Dissipation: refer to table
 Insulation resistance: > 100 MΩ at 500 V DC, 2 s, bar
 Voltage resistance: < 100 μA at 500 V AS, 50 Hz, 2 s, 1 bar

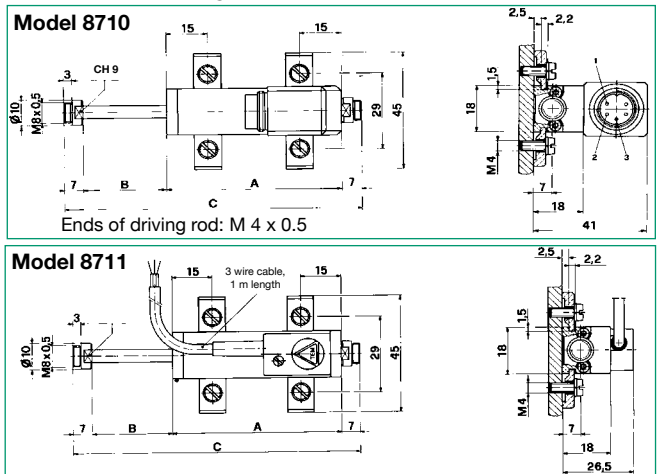
Environmental conditions

Operation temperature range: - 30 °C ... 100 °C
 Storage temperature range: - 50 °C ... 120 °C
 Influence of temperature: to resistance - 200 ± 200 ppm/°C
 to output voltage < 1.5 ppm/°C

Mechanical values

Non-linearity: refer to table
 Resolution: 0.01 mm
 Displacement force, horizontal: ≤ 0.3 N
 Displacement speed: ≤ 10 m/s
 Vibration resistance: 5 ... 2000 Hz, A_{max} = 0,75 mm, a_{max} = 20 g
 Shock resistance: 50 g, 11 ms
 Radial clearance of driving rod: ≤ 0.015 mm
 Flexibility of ball joint coupling: parallel ± 0.5 mm
 angle ± 10 °
 Protection class: acc. to EN 60529 IP40
 Electrical connection: model 8710 plug connection, 5 pin
 (Mating connector model 9991 refer to accessories)
 model 8711 integrated connection cable, length 1 m, cross section 4 mm

Dimensional drawings



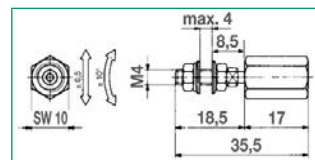
The CAD drawing (3D/2D) for this sensor can be imported online directly into your CAD system. Download via www.burster.com or directly at www.traceparts.com. For further information about the burster traceparts cooperation refer to data sheet 80-CAD-EN.

Order Information

Potentiometric displacement sensor measurement range 100 mm with cable 1 m **Model 8711-100**

Accessory

Ball joint coupling
 1 unit is included in scope of delivery



Model 8702

Mounting set (4 angles + 4 M4 screws)
 1 set is included in scope of delivery

Model 8710-Z001

for Model 8710

Mating connector (coupling socket 5 pin)
 (1 unit is included in scope of delivery)

Model 9991

Mating connector (coupling socket 5 pin)
 IP40, 90° angle

Model 9900-V590

Connecting cable, length 3 m, one end open

Model 99130

Connecting cable suitable to burster desktop devices, length 3 m

Model 99132

Connecting cable length 3 m, for DIGIFORCE® 9310

Model 99209-591A-0090030

for Model 8711

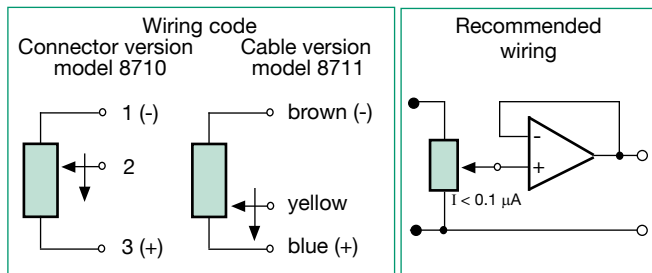
Connector 12 pin, for burster desktop devices **Model 9941**
 Connector 9 pin, for DIGIFORCE® 9310 **Model 9900-V209**
 Connector 5 pin, for extension **Model 99121**

Mounting of a connector to the sensor cable only for connection to SENSORMASTER model 9163 desktop version **Order Code: 99004**
Order Code: 99002

Evaluation units and amplifiers like digital indicator 9180, amplifier 9243, USB sensor interface 9206 or DIGIFORCE® refer to section 9 of the catalog.

Manufacturers calibration certificate (WKS)

Calibration of the displacement sensor with or without evaluation electronics in 20 % increments of the measurement range (6 points).



Important:

The excellent characteristics of the sensor are evident, if the slider load in the voltage divider is < 0.1 μA. If the measurement chain requires higher currents, an operational amplifier should be used, connected as a voltage follower (I < 0.1 μA) (see diagram above).

Mounting: with two 2 axial moveable clips, refer to diagram (in scope of delivery)