



GÜNTHER^{GmbH}

Temperaturmesstechnik



Messtechnik Schaffhausen GmbH
Mühlenstrasse 4, CH-8260 Stein am Rhein
Telefon +41 52-672 50 00
Telefax +41 52-672 50 01
www.mts.ch, e-mail: info@mts.ch

Messen Prüfen Automatisieren www.mts.ch

**Product category 14-TES
Thermocouple Assemblies
with Threaded Socket**

14-TES

Thermocouple Assemblies with Threaded Socket



14-TES

Thermocouple Assemblies with Threaded Socket

Thermocouple assemblies with threaded socket (14-TES) are used for common temperature measurement in low-pressure gaseous, liquid and plastic media environments, depending on the properties of protective tube and surrounding media up to a temperature of 1200°C.

A threaded socket is welded to the protective tube, providing for the stability of the process connector in this component assembly. Depending on the application, the socket is welded to the protective pipe either directly beneath the connection head or with a gap of 100 or 200 mm, for example.

The protective fittings are usually made from a single seamlessly drawn high-grade steel tube with a circular blank welded inside.

Optionally, our thermocouple assemblies with threaded sockets may be fitted with an internal ceramic tube, which significantly increases the long-term stability and electrical insulation of the measuring thermocouple in many application scenarios.

Application Examples for Thermocouple Assemblies with Threaded Socket:



Waste Recycling / Incineration



Plant and Machine Construction



Automobile Industry



Chemical Industry



Energy Production





① Connection Head

B (M24 x 1,5)	BUSH
BUS	BUZH
BUZ	NA
BBK	DL / MA (M10 x 1)
other	

② Process Connector

	G 1 A
	G 1/2 A
	M18 x 1,5
	G 3/4 A
	M20 x 1,5
Combined:	M24 x 1,5 / G 1/2 A
	M10 x 1 / G 1/2 A
Other	

③ Outer Protective Tube Material / Dimensions

St. 35.8	Mat. No. 1.0305
Stainless Steel	Mat. No. 1.4571
X10Cr Al 24	Mat. No. 1.4762
X15CrNi Si 25 20	Mat. No. 1.4841
Inconel	Mat. No. 2.4816
Kanthal	
Diameter:	6 - 22 mm
Wall:	0,75 - 3 mm

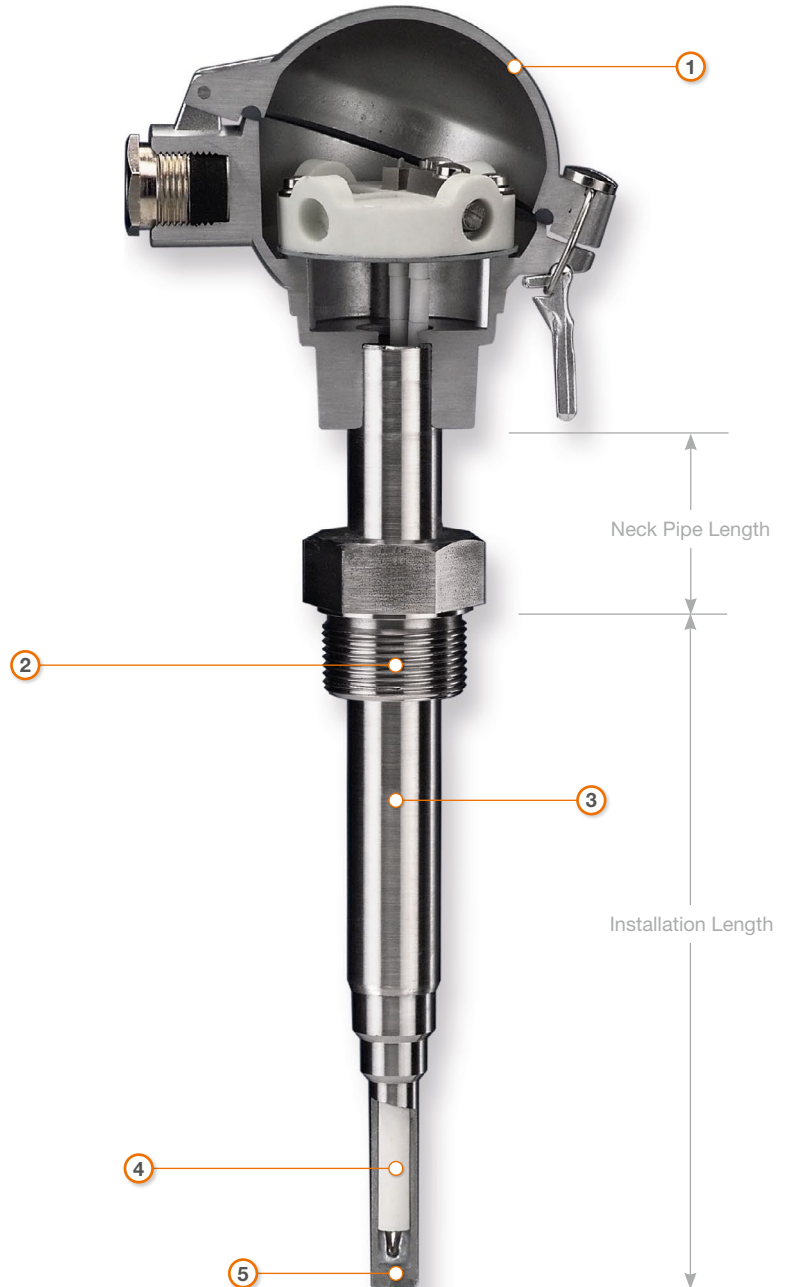
④ Mineral-Insulated Gauge Slide

Thermocouple Type / Mantle Material:	
Fe-CuNi / L	1.4541
Fe-CuNi / J	1.4541
Nicrosil-Nisil / K	Inconel 2.4816
Nicrosil-Nisil / N	Inconel 2.4816
Gauge Slide:	1,5 - 6 mm
Thermocouple:	1 - 3 mm
Single or Double	

⑤ Configuration

Normal (Straight Protective Tube)
Fast Reacting
(Tapered Protective Tube):
Tube Tip Diameter: 6-15 mm

Example of a common implementation in this product line



Individual Solutions such as, for example materials, process connectors, accessories, etc. not listed here, are often viable.

Please contact us for further information!

