

**PR**  
electronics



**4 1 3 1**

**Universal  
trip amplifier**

No. 4131V104-UK

From ser. no. 121524001



- DK** ▶ PR electronics A/S tilbyder et bredt program af analoge og digitale signalbehandlingsmoduler til industriel automation. Programmet består af Isolatorer, Displays, Ex-barrierer, Temperaturtransmittere, Universaltransmittere mfl. Vi har modulerne, du kan stole på i selv barske miljøer med elektrisk støj, vibrationer og temperaturudsving, og alle produkter opfylder de strengeste internationale standarder. Vores motto »Signals the Best« er indbegrebet af denne filosofi - og din garanti for kvalitet.
- UK** ▶ PR electronics A/S offers a wide range of analog and digital signal conditioning devices for industrial automation. The product range includes Isolators, Displays, Ex Interfaces, Temperature Transmitters, and Universal Devices. You can trust our products in the most extreme environments with electrical noise, vibrations and temperature fluctuations, and all products comply with the most exacting international standards. »Signals the Best« is the epitome of our philosophy - and your guarantee for quality.
- FR** ▶ PR electronics A/S offre une large gamme de produits pour le traitement des signaux analogiques et numériques dans tous les domaines industriels. La gamme de produits s'étend des transmetteurs de température aux afficheurs, des isolateurs aux interfaces SI, jusqu'aux modules universels. Vous pouvez compter sur nos produits même dans les conditions d'utilisation sévères, p.ex. bruit électrique, vibrations et fluctuations de température. Tous nos produits sont conformes aux normes internationales les plus strictes. Notre devise »SIGNALS the BEST« c'est notre ligne de conduite - et pour vous l'assurance de la meilleure qualité.
- DE** ▶ PR electronics A/S verfügt über ein breites Produktprogramm an analogen und digitalen Signalverarbeitungsgeräte für die industrielle Automatisierung. Dieses Programm umfasst Displays, Temperaturtransmitter, Ex- und galvanische Signaltrenner, und Universalgeräte. Sie können unsere Geräte auch unter extremen Einsatzbedingungen wie elektrisches Rauschen, Erschütterungen und Temperaturschwingungen vertrauen, und alle Produkte von PR electronics werden in Übereinstimmung mit den strengsten internationalen Normen produziert. »Signals the Best« ist Ihre Garantie für Qualität!

# UNIVERSAL TRIP AMPLIFIER

## 4131

### CONTENTS

Warning.....	2
Symbol identification .....	3
Safety instructions.....	3
How to dismantle system 4000.....	5
Advanced features .....	6
Application.....	6
Technical characteristics.....	6
PR 4501 Display / programming front.....	7
Mounting / demounting the PR 4501/4511.....	8
Applications.....	9
Order codes .....	10
Electrical specifications.....	10
Visualisation in the 4501 of sensor error detection and input signal outside range .....	14
Sensor error detection limits.....	14
Error indications.....	15
Connections .....	16
Block diagram.....	17
Configuration / operating the function keys.....	18
Routing diagram.....	25
Routing diagram, Advanced settings (ADV.SET).....	28
Routing diagram, Manual deactivation of the latch function .....	29
Scrolling help text in display line 3.....	30
Graphic depiction of latch function setpoint.....	31
Graphic depiction of latch function window.....	32
Graphic depiction of relay action setpoint .....	33
Graphic depiction of relay action window .....	33



**GENERAL**

## **WARNING**

This device is designed for connection to hazardous electric voltages.

Ignoring this warning can result in severe personal injury or mechanical damage.

To avoid the risk of electric shock and fire, the safety instructions of this manual must be observed and the guidelines followed. The specifications must not be exceeded, and the device must only be applied as described in the following.

Prior to the commissioning of the device, this manual must be examined carefully.

Only qualified personnel (technicians) should install this device. If the equipment is used in a manner not specified by the manufacturer, the protection provided by the equipment may be impaired.



**HAZARDOUS  
VOLTAGE**

## **WARNING**

Until the device is fixed, do not connect hazardous voltages to the device.

The following operations should only be carried out on a disconnected device and under ESD safe conditions:

- General mounting, connection and disconnection of wires.
- Troubleshooting the device.



**Repair of the device and replacement of circuit breakers must be done by PR electronics A/S only.**



**INSTAL-  
LATION**

## **WARNING**

To keep the safety distances, the relay contacts on the device must not be connected to both hazardous and non-hazardous voltages at the same time.

SYSTEM 4000 must be mounted on a DIN rail according to DIN 46277.



## **WARNING**

Do not open the front plate of the device as this will cause damage to the connector for the display / programming front PR 4501. This device contains no DIP-switches or jumpers.

## SYMBOL IDENTIFICATION



**Triangle with an exclamation mark:** Warning / demand.  
Potentially lethal situations.



**The CE mark** proves the compliance of the device with the essential requirements of the directives.



**The double insulation symbol** shows that the device is protected by double or reinforced insulation.

## SAFETY INSTRUCTIONS

### DEFINITIONS

**Hazardous voltages** have been defined as the ranges: 75 to 1500 Volt DC, and 50 to 1000 Volt AC.

**Technicians** are qualified persons educated or trained to mount, operate, and also troubleshoot technically correct and in accordance with safety regulations.

**Operators**, being familiar with the contents of this manual, adjust and operate the knobs or potentiometers during normal operation.

### RECEIPT AND UNPACKING

Unpack the device without damaging it. The packing should always follow the device until this has been permanently mounted.

Check at the receipt of the device whether the type corresponds to the one ordered.

### ENVIRONMENT

Avoid direct sunlight, dust, high temperatures, mechanical vibrations and shock, as well as rain and heavy moisture. If necessary, heating in excess of the stated limits for ambient temperatures should be avoided by way of ventilation.

All devices fall under Installation Category II, Pollution Degree 1, and Insulation Class II.

### MOUNTING

Only technicians who are familiar with the technical terms, warnings, and instructions in the manual and who are able to follow these should connect the device. Should there be any doubt as to the correct handling of the device, please contact your local distributor or, alternatively,

**PR electronics A/S**  
**[www.prelectronics.com](http://www.prelectronics.com)**

Mounting and connection of the device should comply with national legislation for mounting of electric materials, i.e. wire cross section, protective fuse, and location. Descriptions of input / output and supply connections are shown in the block diagram and side label.

The following apply to fixed hazardous voltages-connected devices:

The max. size of the protective fuse is 10 A and, together with a power switch, it should be easily accessible and close to the device. The power switch should be marked with a label indicating that it will switch off the voltage to the device.

Year of manufacture can be taken from the first two digits in the serial number.

### **UL INSTALLATION REQUIREMENTS**

Use 60/75°C copper conductors only

For use only in pollution degree 2 or better

Max. ambient temperature ..... 60°C

Max. wire size..... AWG 26-14

UL file number ..... E231911

### **CALIBRATION AND ADJUSTMENT**

During calibration and adjustment, the measuring and connection of external voltages must be carried out according to the specifications of this manual. The technician must use tools and instruments that are safe to use.

### **NORMAL OPERATION**

Operators are only allowed to adjust and operate devices that are safely fixed in panels, etc., thus avoiding the danger of personal injury and damage. This means there is no electrical shock hazard, and the device is easily accessible.

### **CLEANING**

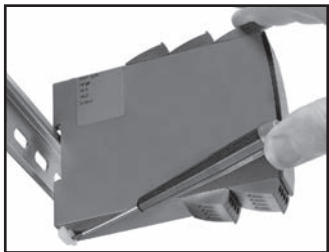
When disconnected, the device may be cleaned with a cloth moistened with distilled water.

### **LIABILITY**

To the extent that the instructions in this manual are not strictly observed, the customer cannot advance a demand against PR electronics A/S that would otherwise exist according to the concluded sales agreement.

## HOW TO DISMANTLE SYSTEM 4000

First, remember to demount the connectors with hazardous voltages.



**Picture 1:**  
Detach the device from the DIN rail  
by lifting the bottom lock.

# UNIVERSAL TRIP AMPLIFIER

## 4131

- *Input for RTD, TC, Ohm, potentiometer, mA and V*
- *2 adjustable alarm limits*
- *FM-approved for installation in Div. 2*
- *2 relay outputs*
- *Universal AC or DC supply*

### Advanced features

- Programmable via detachable display front (4501), process calibration, relay simulation, password protection, error diagnostics and selection of help text in several languages.

### Application

- Process control with 2 pairs of potential-free relay contacts which can be configured to suit any application.
- Trip amplifier with window function allowing the relay to change state within a high and a low setpoint on the input span.
- Relay latch function, where the relay is activated and can only be reset manually.
- Sophisticated sensor error surveillance, where one relay holds the state immediately prior to the sensor error, thus allowing the process to continue. The other relay can be set for sensor error alarm so that the defect sensor can be replaced immediately.

### Technical characteristics

- When 4131 is used in combination with the 4501 display / programming front, all operational parameters can be modified to suit any application. As the 4131 is designed with electronic hardware switches, it is not necessary to open the device for setting of DIP-switches.
- A green front LED indicates normal operation and malfunction. A yellow LED is ON for each active output relay.
- Continuous check of vital stored data for safety reasons.
- 3-port 2.3 kVAC galvanic isolation.



## PR 4501 DISPLAY / PROGRAMMING FRONT



### Functionality

The simple and easily understandable menu structure and the explanatory help texts guide you effortlessly and automatically through the configuration steps, thus making the product very easy to use. Functions and configuration options are described in the section "Configuration / operating the function keys".

### Application

- Communications interface for modification of operational parameters in 4131.
- Can be moved from one 4131 device to another and download the configuration of the first transmitter to subsequent transmitters.
- Fixed display for readout of process data and status.

### Technical characteristics

- LCD display with 4 lines; Line 1 (H=5.57 mm) shows input signal, line 2 (H=3.33 mm) shows units, line 3 (H=3.33 mm) shows tag no. and line 4 shows communication and relay status.
- Programming access can be blocked by assigning a password. The password is saved in the transmitter in order to ensure a high degree of protection against unauthorised modifications to the configuration.

### Mounting / installation

- Click 4501 onto the front of 4131.

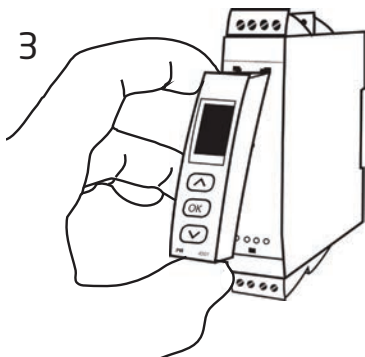
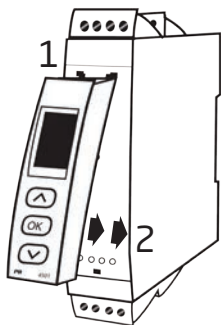
## MOUNTING / DEMOUNTING THE PR 4501/4511

1: Insert the taps of 4501/4511 into the holes at the top of the device.

2: Swing 4501/4511 into place.

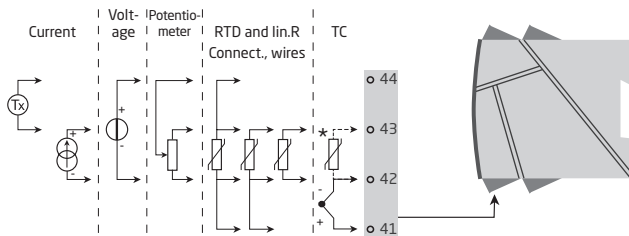
### Demounting of 4501/4511

3: Push the release button on the bottom of 4501/4511 and swing 4501/4511 up.



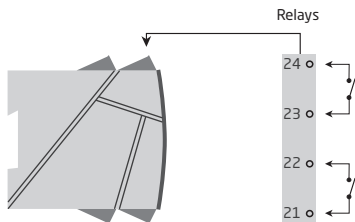
# APPLICATIONS

## Input signals:

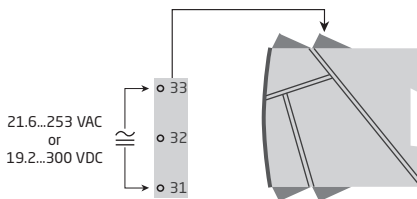


## Output signals:

Order separately: 5910 CJC connector.  
See the connection drawing on page 16.



## Supply:



## Order codes

4131 = Universal trip amplifier

4501 = Display / programming front

5910 = CJC connector

## Electrical specifications

### Environmental conditions

Specifications range .....	-20°C to +60°C
Calibration temperature .....	20...28°C
Relative humidity.....	< 95% RH (non-cond.)
Protection degree.....	IP20

### Mechanical specifications

Dimensions (HxBxD) .....	109 x 23.5 x 104 mm
Dimensions, with 4501 / 4511 (HxBxD).....	109 x 23.5 x 116 / 131 mm
Weight .....	170 g
Weight with 4501 / 4511.....	185 g / 270 g
Max. wire size.....	1 x 2.5 mm <sup>2</sup> stranded wire
Screw terminal torque .....	0.5 Nm
Vibration.....	IEC 60068-2-6 : 2007
2...13.2 Hz.....	±1 mm
13.2...100 Hz.....	±0.7 g

### Common specifications

Supply voltage, universal .....	21.6...253 VAC, 50...60 Hz or 19.2...300 VDC
Max. consumption.....	≤ 2.0 W
Fuse.....	400 mA SB / 250 VAC
Isolation voltage, test / operation.....	2.3 kVAC / 250 VAC
Communications interface .....	Communication enabler 4511 Programming front 4501
Signal / noise ratio .....	Min. 60 dB (0...100 kHz)
Response time (0...90%, 100...10%):	
Temperature input.....	≤ 1 s
mA / V input.....	≤ 400 ms

Accuracy, the greater of the general and basic values:

General values		
Input type	Absolute accuracy	Temperature coefficient
All	≤ ±0.1% of span	≤ ±0.01% of span / °C

Basic values		
Input type	Basic accuracy	Temperature coefficient
mA	$\leq \pm 4 \mu\text{A}$	$\leq \pm 0.4 \mu\text{A} / ^\circ\text{C}$
Volt	$\leq \pm 20 \mu\text{V}$	$\leq \pm 2 \mu\text{V} / ^\circ\text{C}$
Pt100	$\leq \pm 0.2^\circ\text{C}$	$\leq \pm 0.01^\circ\text{C} / ^\circ\text{C}$
Linear resistance	$\leq \pm 0.1 \Omega$	$\leq \pm 0.01 \Omega / ^\circ\text{C}$
Potentiometer	$\leq \pm 0.1 \Omega$	$\leq \pm 0.01 \Omega / ^\circ\text{C}$
TC type: E, J, K, L, N, T, U	$\leq \pm 1^\circ\text{C}$	$\leq \pm 0.05^\circ\text{C} / ^\circ\text{C}$
TC type: R, S, W3, W5, LR	$\leq \pm 2^\circ\text{C}$	$\leq \pm 0.2^\circ\text{C} / ^\circ\text{C}$
TC type: B 85...200°C	$\leq \pm 4^\circ\text{C}$	$\leq \pm 0.4^\circ\text{C} / ^\circ\text{C}$
TC type: B 200...1820°C	$\leq \pm 2^\circ\text{C}$	$\leq \pm 0.2^\circ\text{C} / ^\circ\text{C}$

EMC immunity influence .....	$< \pm 0.5\%$ of span
Extended EMC immunity: NAMUR NE 21, A criterion, burst .....	$< \pm 1\%$ of span

Auxiliary supplies:

2-wire supply (terminal 44...43)..... 25...16 VDC / 0...20 mA

### RTD, linear resistance and potentiometer input

Input for RTD types:

Pt10, Pt20, Pt50, Pt100, Pt200, PT250, Pt300, Pt400, Pt500, Pt1000

Ni50, Ni100, Ni120, Ni1000, Cu10, Cu20, Cu50, Cu100

Input type	Min. value	Max. value	Standard
Pt10...Pt1000	-200°C	+850°C	IEC 60751
Ni50...Ni1000	-60°C	+250°C	DIN 43760
Cu10...Cu100	-200°C	+260°C	$\alpha = 0,00427$
Lin. R	0 $\Omega$	10000 $\Omega$	-
Potentiometer	10 $\Omega$	100 k $\Omega$	-

Cable resistance per wire (max.), RTD..... 50  $\Omega$

Sensor current, RTD..... Nom. 0.2 mA

Effect of sensor cable resistance

(3- / 4-wire), RTD.....  $< 0.002 \Omega / \Omega$

Sensor error detection, RTD..... Yes

Short circuit detection, RTD.....  $< 15 \Omega$

## TC input

Type	Min. value	Max. value	Standard
B	0°C	+1820°C	IEC 60584-1
E	-100°C	+1000°C	IEC 60584-1
J	-100°C	+1200°C	IEC 60584-1
K	-180°C	+1372°C	IEC 60584-1
L	-200°C	+900°C	DIN 43710
N	-180°C	+1300°C	IEC 60584-1
R	-50°C	+1760°C	IEC 60584-1
S	-50°C	+1760°C	IEC 60584-1
T	-200°C	+400°C	IEC 60584-1
U	-200°C	+600°C	DIN 43710
W3	0°C	+2300°C	ASTM E988-90
W5	0°C	+2300°C	ASTM E988-90
LR	-200°C	+800°C	GOST 3044-84

### Cold junction compensation (CJC):

via external sensor in connector 5910 .....  $20...28^{\circ}\text{C} \leq \pm 1^{\circ}\text{C}$   
 $-20...20^{\circ}\text{C} / 28...70^{\circ}\text{C} \leq \pm 2^{\circ}\text{C}$

via internal CJC sensor .....  $\pm(2.0^{\circ}\text{C} + 0.4^{\circ}\text{C} * \Delta t)$

$\Delta t$  = internal temperature - ambient temperature

Sensor error detection, all TC types..... Yes

### Sensor error current:

when detecting ..... Nom. 2  $\mu\text{A}$

else ..... 0  $\mu\text{A}$

### Current input

Measurement range..... 0...20 mA

Programmable measurement ranges..... 0...20 and 4...20 mA

Input resistance..... Nom. 20  $\Omega$  + PTC 50  $\Omega$

### Sensor error detection:

Loop break 4...20 mA..... Yes

### Voltage input

Measurement range..... 0...12 VDC

Programmable measurement ranges..... 0...1 / 0.2...1 / 0...5 / 1...5 /

0...10 and 2...10 VDC

Input resistance..... Nom. 10 M $\Omega$

## Relay outputs

Relay functions.....	Setpoint, Window, Sensor error, Latch, Power and Off
Hysteresis.....	0...100%
On and Off delay.....	0...3600 s
Sensor error detection.....	Break / Make / Hold
Max. voltage.....	250 VRMS
Max. current.....	2 A / AC or 1 A / DC
Max. AC power.....	500 VA

## Ex / I.S. approval

FM, applicable in.....	Class I, Div. 2, Group A, B, C, D Class I, Div. 2, Group IIC Zone 2
Max. ambient temperature for T5.....	60°C

## Marine approval

Det Norske Veritas, Ships & Offshore.....	Standard for Certification No. 2.4
---	------------------------------------

## Observed authority requirements

### Standard

EMC 2004/108/EC.....	EN 61326-1
LVD 2006/95/EC.....	EN 61010-1
FM.....	3600, 3611, 3810 and ISA 82.02.01
UL, Standard for Safety.....	UL 508
EAC TR-CU 020/2011.....	EN 61326-1

**of span** = of the currently selected measurement range

## Visualisation in the 4501 of sensor error detection and input signal outside range

Sensor error check:		
Device:	Configuration	Sensor error detection:
4131	R1, ERR.ACT=NONE - R2, ERR.ACT=NONE	OFF
	Else:	ON

Outside range readout (IN.LO, IN.HI): If the valid range of the A/D converter or the polynomial is exceeded			
Input	Range	Readout	Limit
VOLT	0...1 V / 0.2...1 V	IN.LO	< -25 mV
		IN.HI	> 1.2 V
	0...10 V / 2...10 V	IN.LO	< -25 mV
		IN.HI	> 12 V
CURR	0...20 mA / 4...20 mA	IN.LO	< -1.05 mA
		IN.HI	> 25.05 mA
LIN.R	0...800 Ω	IN.LO	< 0 Ω
		IN.HI	> 1075 Ω
	0...10 kΩ	IN.LO	< 0 Ω
		IN.HI	< 110 kΩ
POTM	-	IN.LO	< -0.5 %
		IN.HI	> 100.5 %
TEMP	TC / RTD	IN.LO	< temperature range -2°C
		IN.HI	> temperature range +2°C

Display readout below min.- / above max. (-1999, 9999):			
Input	Range	Readout	Limit
All	All	-1999	Display readout < -1999
		9999	Display readout > 9999

### Sensor error detection limits

Sensor error detection (SE.BR, SE.SH):			
Input	Range	Readout	Limit
CURR	Loop break (4...20 mA)	SE.BR	<= 3.6 mA; > = 21 mA
POTM	All, SE.BR on all 3-wire	SE.BR	> ca. 126 kΩ
LIN.R	0...800 Ω	SE.BR	> ca. 875 Ω
	0...10 kΩ	SE.BR	> ca. 11 kΩ
TEMP	TC	SE.BR	> ca. 750 kΩ / (1.25 V)
	RTD, 2-, 3-, and 4-wire	SE.BR	> ca. 15 kΩ
	No SE.SH for Cuxx, Pt10, Pt20 and Pt50	SE.SH	< ca. 15 Ω



## Error indications

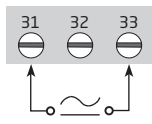
Readout at hardware error		
Error search	Readout	Error cause
Test of internal CJC sensor	CJ.ER	CJC sensor defect or temperature outside range
Checksum test of the configuration in FLASH	FL.ER	Error in FLASH
Communications test 4501 / 4131	NO.CO	Connection error
Check that input signal matches input configuration	IN.ER	1) Error levels on input
Check that saved configuration in 4501 matches device	TY.ER	Configuration is not 4131

! Error indications in the display flash once per second. The help text explains the error.

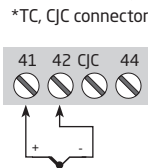
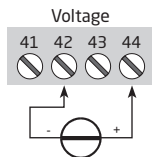
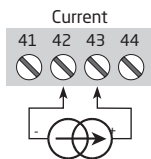
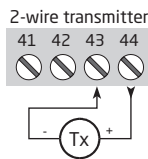
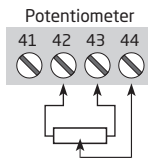
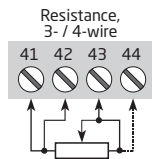
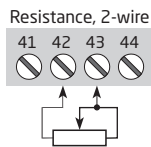
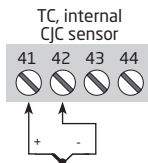
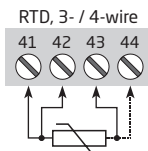
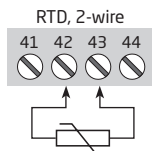
1) The error is reset by switching off and then switching on the supply voltage to the device.

# CONNECTIONS

Supply:

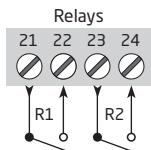


Inputs:

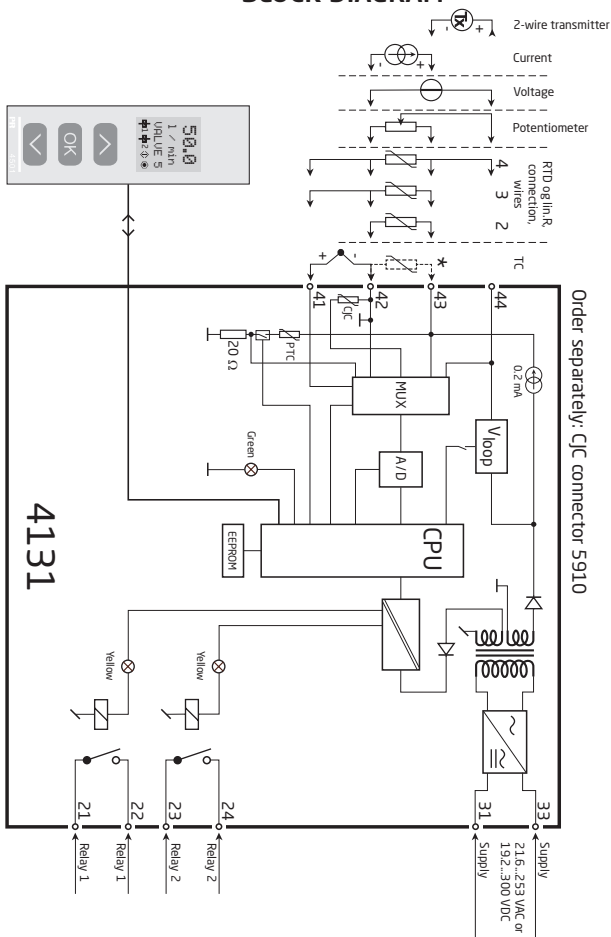


\* Order separately:  
CJC connector 5910

Outputs:



# BLOCK DIAGRAM



# CONFIGURATION / OPERATING THE FUNCTION KEYS

Documentation for routing diagram.

## In general

When configuring the 4131, you will be guided through all parameters and you can choose the settings which fit the application. For each menu there is a scrolling help text which is automatically shown in line 3 on the display.

Configuration is carried out by use of the 3 function keys:

- ⬆ will increase the numerical value or choose the next parameter
- ⬇ will decrease the numerical value or choose the previous parameter
- OK will accept the chosen value and proceed to the next menu

When configuration is completed, the display will return to the default state 1.0.

Pressing and holding OK will return to the previous menu or return to the default state (1.0) without saving the changed values or parameters.

If no key is activated for 1 minute, the display will return to the default state (1.0) without saving the changed values or parameters.

## Further explanations

**Fast setpoint adjustment and relay test:** These menus allow you to make a quick setpoint change and relay test when the FastSet menu is activated. This function can only be activated when the relays are set for setpoint function and are controlled by a setpoint.

Pressing ⬆ and ⬇ simultaneously will activate a relay test and change the state of the relay.

Pressing OK will save the setpoint change.

Holding down OK for more than 1 second will return the unit to the default state without saving the setpoint change.

**Password protection:** Programming access can be blocked by assigning a password. The password is saved in the transmitter in order to ensure a high degree of protection against unauthorised modifications to the configuration. Default password 2008 allows access to all configuration menus.

## Signal and sensor error info via display front 4501

Sensor error (see limits in the table) is displayed as SE.BR (sensor break) or SE.SH (sensor short). Signals outside the selected range (not sensor error, see table for limits) are displayed as IN.LO indicating low input signal or IN.HI indicating high input signal. The error indication is displayed in line 3 as text and at the same time the backlight flashes. Line 4 of the display is a status line which displays status of relay 1 and relay 2, COM (flashing bullet) indicating correct functioning of 4501 and arrow up/down which indicates tendency readout of the input signal. If the figure 1 or figure 2 flashes, the unit has detected that the setpoint has been exceeded and that the relay is in "delay" mode. When the delay time has passed and the relay makes/breaks, the relay sign either displays or disappears.

## Signal and sensor error indication without display front

Status of the unit can also be read from the green LED in the front of the device.

Green flashing LED 13 Hz indicates normal operation.

Green flashing LED 1 Hz indicates sensor error.

Steady green LED indicates internal error.

## Relay functions

6 different settings of relay function can be selected.

**Setpoint:** The unit works as a single limit switch

**Window:** The relay has a window that is defined by a low and a high setpoint. On both sides of the window the relay has the same status.

**Error function:** The relay is activated by sensor error.

**Power:** The relay is activated as long as the power is on.

**Off:** The relay is deactivated.

**Latch:** The relay is latched. Only valid for setpoint and window function.

**Increasing/decreasing:** The relays can be set to activate at increasing or decreasing input signal.

**Delay:** An ON and an OFF delay can be set on both relays in the range 0...3600 s.

**Hysteresis:** 0.0...100.0%.

## Latch

When the setpoint is exceeded the relay outputs enters an alarm state. The latch function of the 4131 will hold the relays in this state until the function is deactivated manually. The latch function can be applied when the relay function setpoint or window is selected.

The latch function can be selected separately for each relay output. If the configuration is copied from one device to another by way of the 4501, the latch function must be reconfigured.

The latch function activates and holds the relays when the input signal rises above or falls below the selected setpoints and the relay action has been selected as increasing or decreasing.

The window function is selected by choosing "window" in the menu and defining a high and a low setpoint.

It can be selected for each relay contact whether the contact is open or closed inside the window. This selection is made in the menu R1.cont and R2.cont.

The setpoint function is selected by choosing "setpoint" in the menu and entering the desired limit. The device then works as a single limit switch.

An activated relay means that the contact is closed if the contact function "normally open" is selected, and the contact is open if the contact function "normally closed" is selected.




The delay time for activation and deactivation can be set independently of each other in the menus ON.DEL and OFF DEL respectively.

If the relay function "Error" is active, the relay will latch when a sensor error occurs and will not be deactivated automatically when the sensor error is rectified.

The relay can only be deactivated by an operator and only when the normal conditions for deactivation are met. If the input signal still has a value that will activate the relay, the relay will latch again.

See the graphic depiction of the setpoint and window functions on pages 31 and 32.

## Manual deactivation of the latch function



If the relay outputs are activated and thereby latched, it will be indicated in the display. The backlight flashes and the scrolling help text tells you how to deactivate the output. Manual deactivation is carried out by way of the front buttons on the 4501. Use  and  to navigate in the menu and  to validate your selection. If the password protection has been activated, the password must be entered in order to access the deactivation menu. See the menu structure on page 29.

## Advanced functions

The device gives access to a number of advanced functions which can be reached by answering "Yes" to the point "adv.set".

**Display setup:** Here you can adjust the brightness contrast and the backlight. Setup of TAG numbers with 6 alphanumerics. Line 3 of the display shows TAG number.

**Two-point process calibration:** The device can be process-calibrated in 2 points to fit a given input signal. A low input signal (not necessarily 0%) is applied and the actual value is entered via 4501. Then a high signal (not necessarily 100%) is applied and the actual value is entered via 4501. If you accept to use the calibration, the device will work according to this new adjustment. If you later reject this menu point or choose another type of input signal the device will return to factory calibration.

**Process simulation function:** If you say "yes" to the point "EN.SIM" it is possible to simulate an input signal by means of the arrow keys and thus test the function of the relays. When you finalise the point with , the unit returns to normal mode. The point REL.SIM allows you to activate relay 1 and relay 2 by means of the arrow-keys up/down. You must exit the menu by pressing  (no time-out).

**Password:** Here you can choose a password between 0000 and 9999 in order to protect the device against unauthorised modifications to the configuration. The device is delivered default without password. If you have locked the device with a password by mistake, you can always open the menu by using the master password 2008.

**Language:** In the menu "lang.setup" you can choose between 7 different language versions of help texts that will appear in the menu. You can choose between UK, DE, FR, IT, ES, SE and DK.

## Auto diagnosis

The device performs an advanced auto diagnosis of the internal circuits.

The following possible errors can be displayed in the front unit 4501.

CJ.ER - CJC sensor defect or CJC temperature outside range

FL.ER - Flash error

NO.CO - Connection error

IN.ER - Error levels on input

TY.ER - Configuration in 4501 does not match this product type



## **Selection of units**

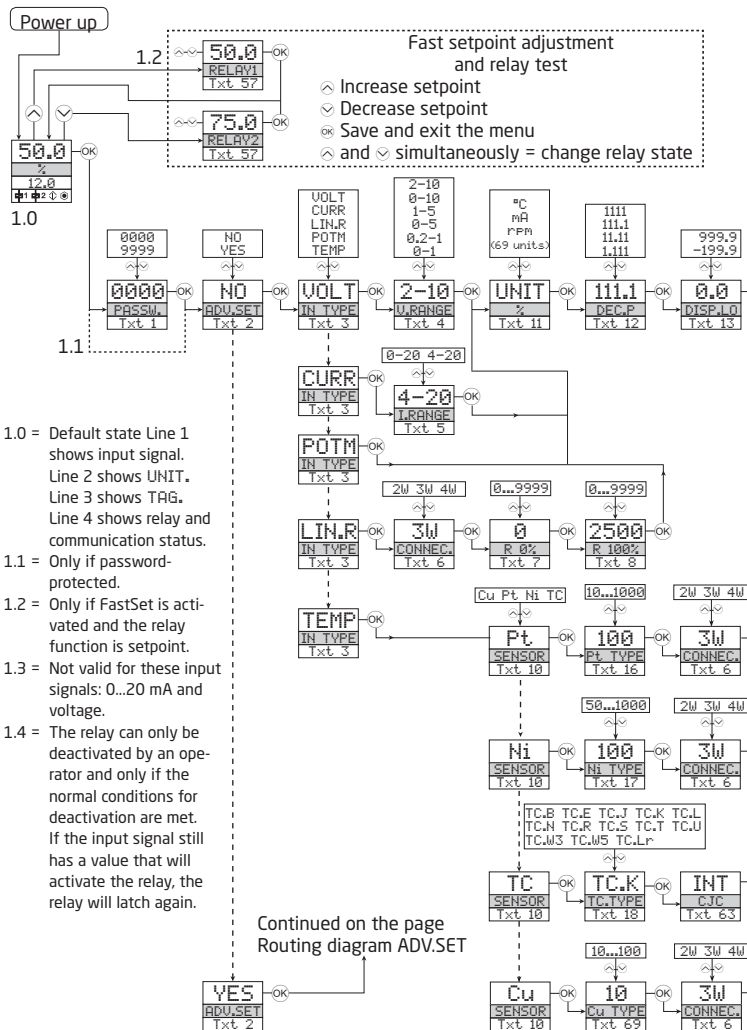
After choosing the input signal type you can choose which process units should be displayed in text line 2 (see table). By selection of temperature input the process value is always displayed in Celsius or Fahrenheit. This is selected in the menu point after selection of temperature input.

## **CJC**

In the CJC menu you can choose between CJC connector and internal cold junction compensation. The CJC connector (PR 5910) must be ordered separately.

## **Memory**

In the memory menu you can save the configuration of the device in the 4501, and then move the 4501 onto another device of the same type and download the configuration in the new device.



- 1.0 = Default state Line 1 shows input signal. Line 2 shows UNIT. Line 3 shows TAG. Line 4 shows relay and communication status.
- 1.1 = Only if password-protected.
- 1.2 = Only if FastSet is activated and the relay function is setpoint.
- 1.3 = Not valid for these input signals: 0...20 mA and voltage.
- 1.4 = The relay can only be deactivated by an operator and only if the normal conditions for deactivation are met. If the input signal still has a value that will activate the relay, the relay will latch again.

Continued on the page  
Routing diagram ADV.SET

# ROUTING DIAGRAM

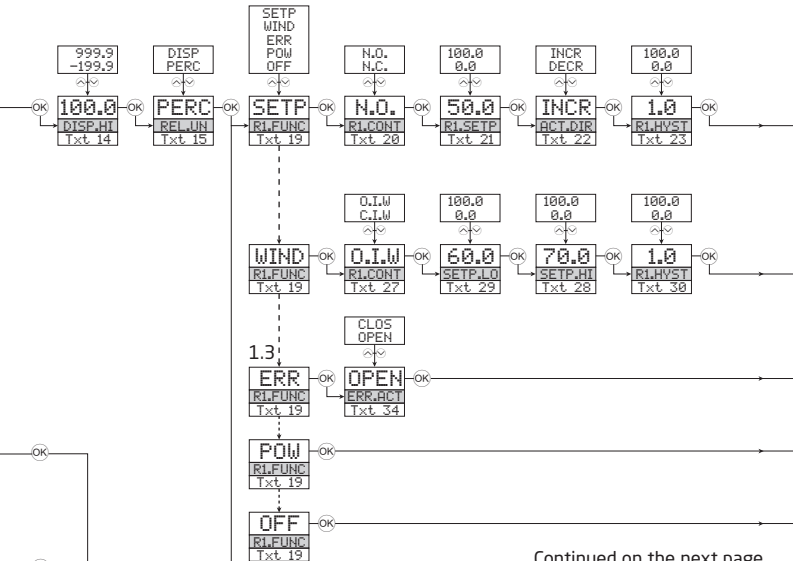
If no key is activated for 1 minute, the display will return to the default state 1.0 without saving configuration changes.

⊕ Increase value / choose next parameter

⊖ Decrease value / choose previous parameter

OK Accept the chosen value and proceed to the next menu

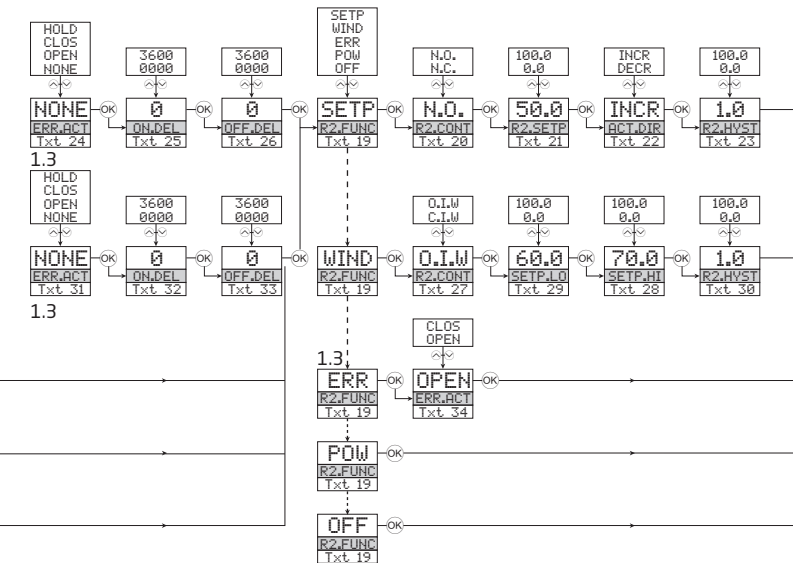
Hold OK Back to previous menu / return to menu 1.0 without saving

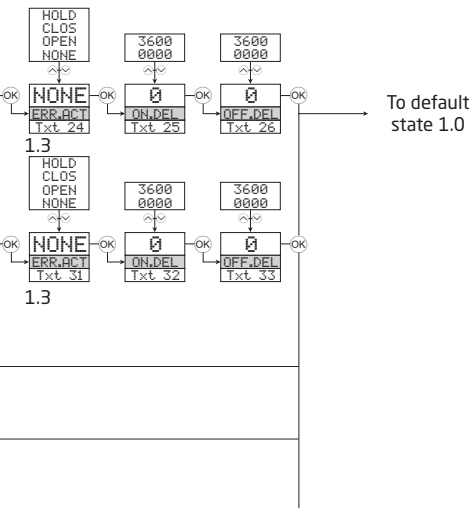


Continued on the next page

## Selectable UNITS:

°C	hF	kw	mA	PH
°F	hPa	kWh	mbar	rPM
%	Hz	l	mils	s
A	in	l/h	min	S
bar	in/h	l/min	mm	t
cm	in/min	l/s	mm/s	t/h
ft	in/s	m	mol	uA
ft/h	ips	m/h	MPa	um
ft/min	K	m/min	mV	uS
ft/s	kA	m/s	MW	V
g	kg	m/s <sup>2</sup>	MWh	W
gal/h	kJ	m <sup>3</sup>	N	Wh
gal/min	kPa	m <sup>3</sup> /h	Ohm	yd
GW	kV	m <sup>3</sup> /min	Pa	[blank]

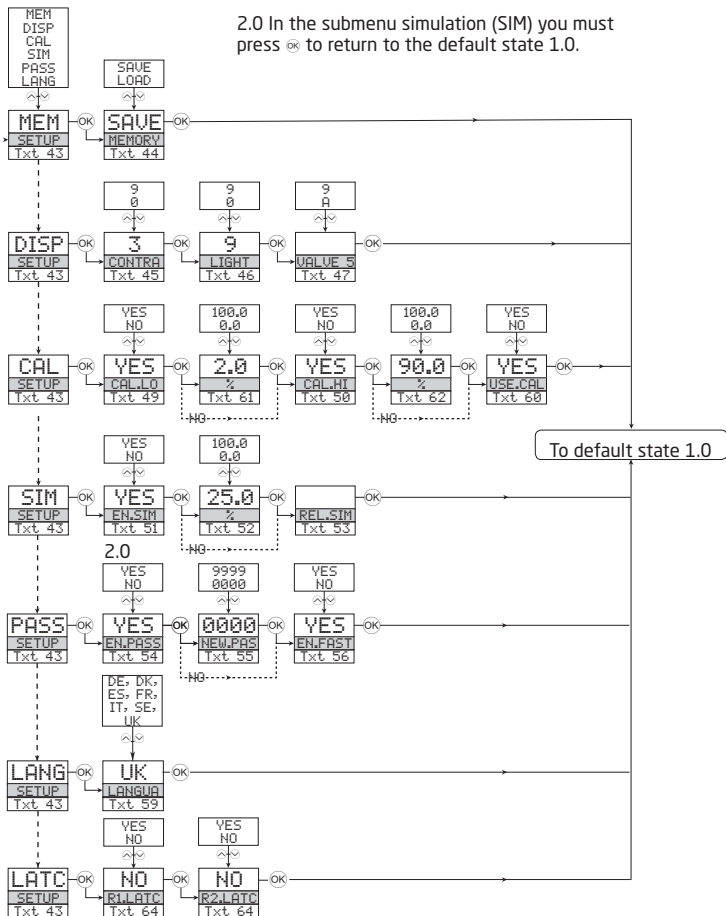




# ROUTING DIAGRAM

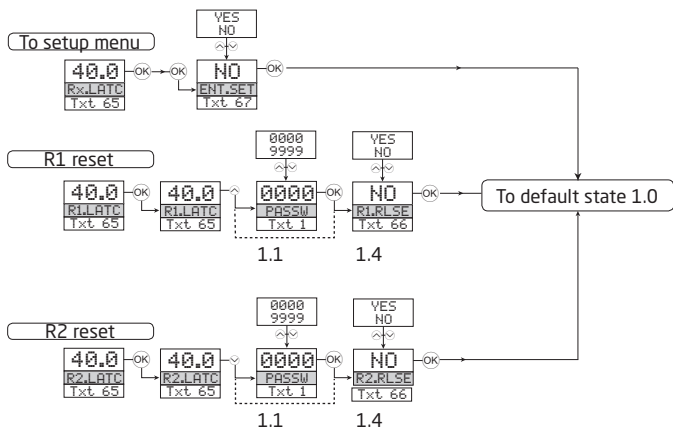
## Advanced settings (ADV.SET)

2.0 In the submenu simulation (SIM) you must press **OK** to return to the default state 1.0.



# ROUTING DIAGRAM

## Manual deactivation of the latch function

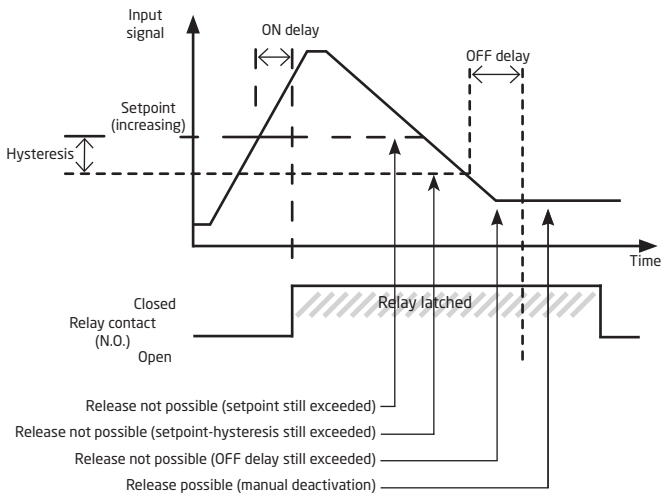


## SCROLLING HELP TEXT IN DISPLAY LINE 3

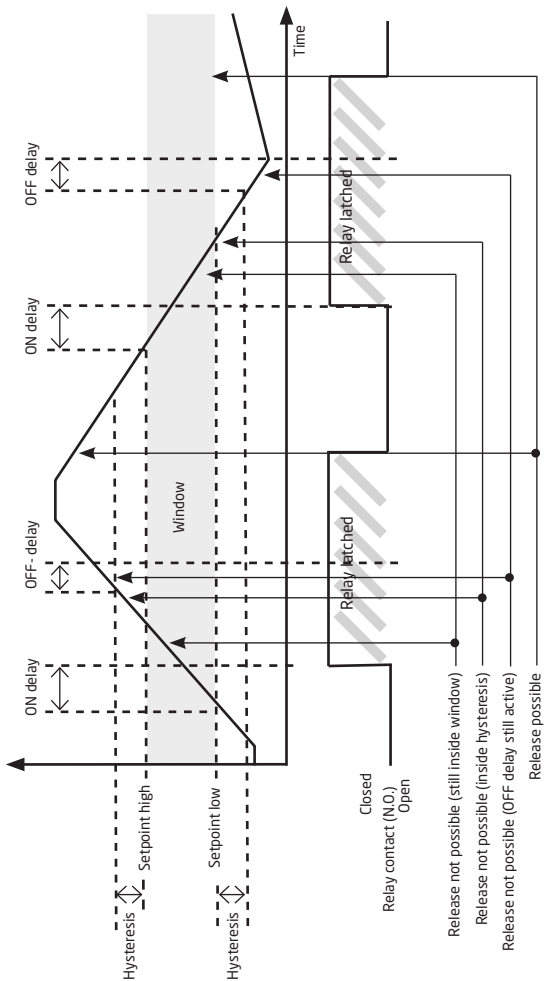
- |      |   |  |
|------|---|--|
| [01] | Set correct password                                    | Select ERROR function - relay indicates sensor error only          |
| [02] | Enter advanced setup menu?                              | Select WINDOW function - relay controlled by 2 setpoints           |
| [03] | Select temperature input                                | Select SETPOINT function - relay controlled by 1 setpoint          |
|      | Select potentiometer input                              | [20] Select Normally Closed contact                                |
|      | Select linear resistance input                          | Select Normally Open contact                                       |
|      | Select current input                                    | [21] Set relay setpoint  |
|      | Select voltage input                                    | [22] Activate relay on decreasing signal                           |
| [04] | Select 0.0-1 V input range                              | Activate relay on increasing signal                                |
|      | Select 0.2-1 V input range                              | [23] Set relay hysteresis  |
|      | Select 0-5 V input range                                | [24] No error action - undefined status at error                   |
|      | Select 1-5 V input range                                | Open relay contact at error  |
|      | Select 0-10 V input range                               | Close relay contact at error                                       |
|      | Select 2-10 V input range                               | Hold relay status at error   |
| [05] | Select 0-20 mA input range                              | [25] Set relay ON delay in seconds                                 |
|      | Select 4-20 mA input range                              | [26] Set relay OFF delay in seconds                                |
| [06] | Select 2-wire sensor connection                         | [27] Relay contact is Closed Inside Window                         |
|      | Select 3-wire sensor connection                         | Relay contact is Open Inside Window                                |
|      | Select 4-wire sensor connection                         | [28] Set relay window setpoint high                                |
| [07] | Set resistance value low                                | [29] Set relay window setpoint low                                 |
| [08] | Set resistance value high                               | [30] Set relay window hysteresis                                   |
| [09] | Select Celsius as temperature unit                      | [31] No error action - undefined status at error                   |
|      | Select Fahrenheit as temperature unit                   | Open relay contact at error  |
| [10] | Select TC sensor type                                   | Close relay contact at error                                       |
|      | Select Ni sensor type                                   | Hold relay status at error   |
|      | Select Pt sensor type                                   | [32] Set relay ON delay in seconds                                 |
|      | Select Cu sensor type                                   | [33] Set relay OFF delay in seconds                                |
| [11] | Select display unit                                     | [34] Open relay contact at error                                   |
| [12] | Select decimal point position                           | Close relay contact at error                                       |
| [13] | Set display range low                                   | [43] Enter password setup  |
| [14] | Set display range high                                  | Enter simulation mode  |
| [15] | Set relays in % of input range                          | Perform process calibration  |
|      | Set relays in display units                             | Enter display setup  |
| [16] | Select Pt10 as sensor type                              | Perform memory operations  |
|      | Select Pt20 as sensor type                              | Enter relay latch setup  |
|      | Select Pt50 as sensor type                              | [44] Load saved configuration into 4131                            |
|      | Select Pt100 as sensor type                             | Save 4131 configuration in 4501                                    |
|      | Select Pt100 as sensor type                             | [45] Adjust LCD contrast   |
|      | Select Pt1200 as sensor type                            | [46] Adjust LCD backlight  |
|      | Select Pt250 as sensor type                             | [47] Write a 6-character device TAG                                |
|      | Select Pt300 as sensor type                             | [49] Calibrate input low to process value?                         |
|      | Select Pt400 as sensor type                             | [50] Calibrate input high to process value?                        |
|      | Select Pt500 as sensor type                             | [51] Enable simulation mode?                                       |
|      | Select Pt1000 as sensor type                            | [52] Set the input simulation value                                |
| [17] | Select Ni50 as sensor type                              | [53] Relay simulation - use ↵ and ⇩ to toggle relay 1 & 2          |
|      | Select Ni100 as sensor type                             | [54] Enable password protection?                                   |
|      | Select Ni120 as sensor type                             | [55] Set new password  |
|      | Select Ni1000 as sensor type                            | [56] Enable Fastset functionality?                                 |
| [69] | Select Cu10 as sensor type                              | [57] Relay setpoint - press ⏏ to save                              |
|      | Select Cu20 as sensor type                              | [58] Relay setpoint - Read only                                    |
|      | Select Cu50 as sensor type                              | [59] Select language   |
|      | Select Cu100 as sensor type                             | [60] Use process calibration values?                               |
| [18] | Select TC-B as sensor type                              | [61] Set value for low calibration point                           |
|      | Select TC-E as sensor type                              | [62] Set value for high calibration point                          |
|      | Select TC-J as sensor type                              | [63] Select CJC connector (accessory)                              |
|      | Select TC-K as sensor type                              | Select internal temperature sensor                                 |
|      | Select TC-L as sensor type                              | [64] Enable relay latch function?                                  |
|      | Select TC-N as sensor type                              | [65] Relay is latched - press ⏏ to acknowledge                     |
|      | Select TC-R as sensor type                              | Relay(s) are latched - press ⇩ or ⇵ for release relay 1 or relay 2 |
|      | Select TC-S as sensor type                              | [66] Release relay? (if conditions allow)                          |
|      | Select TC-T as sensor type                              | [67] Enter setup menu? (latched relays may release!)               |
|      | Select TC-U as sensor type                              |  |
|      | Select TC-W3 as sensor type                             |  |
|      | Select TC-W5 as sensor type                             |  |
| [19] | Select OFF function - relay is permanently off          |  |
|      | Select POWER function - relay indicates power status OK |  |



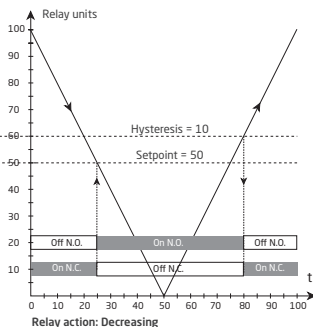
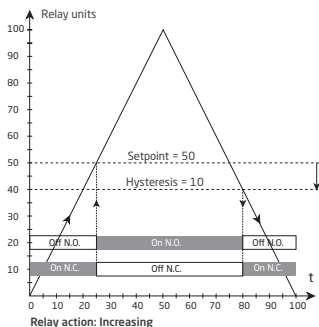
## Graphic depiction of latch function setpoint



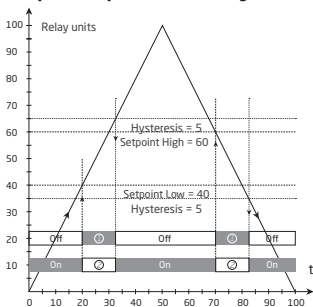
# Graphic depiction of latch function window



## Graphic depiction of relay action setpoint



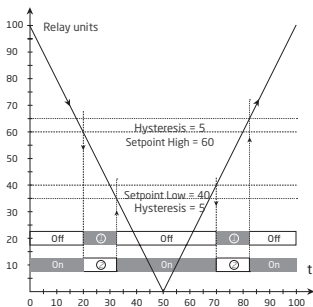
## Graphic depiction of relay action window



Relay function: Window (shown for increasing signal)

Contact: Closed inside window =

Contact: Open inside window =



Relay function: Window (shown for decreasing signal)

Contact: Closed inside window =

Contact: Open inside window =



### Displays

Programmable displays with a wide selection of inputs and outputs for display of temperature, volume and weight, etc. Feature linearization, scaling, and difference measurement functions for programming via PReset software.



### Ex interfaces

Interfaces for analog and digital signals as well as HART® signals between sensors / I/P converters / frequency signals and control systems in Ex zone 0, 1 & 2 and for some devices in zone 20, 21 & 22.



### Isolation

Galvanic isolators for analog and digital signals as well as HART signals. A wide product range with both loop-powered and universal isolators featuring linearization, inversion, and scaling of output signals.



### Temperature

A wide selection of transmitters for DIN form B mounting and DIN rail devices with analog and digital bus communication ranging from application-specific to universal transmitters.



### Universal

PC or front programmable devices with universal options for input, output and supply. This range offers a number of advanced features such as process calibration, linearization and auto-diagnosis.





[www.preelectronics.fr](http://www.preelectronics.fr)  
[sales-fr@preelectronics.com](mailto:sales-fr@preelectronics.com)



[www.preelectronics.de](http://www.preelectronics.de)  
[sales-de@preelectronics.com](mailto:sales-de@preelectronics.com)



[www.preelectronics.es](http://www.preelectronics.es)  
[sales-es@preelectronics.com](mailto:sales-es@preelectronics.com)



[www.preelectronics.it](http://www.preelectronics.it)  
[sales-it@preelectronics.com](mailto:sales-it@preelectronics.com)



[www.preelectronics.se](http://www.preelectronics.se)  
[sales-se@preelectronics.com](mailto:sales-se@preelectronics.com)



[www.preelectronics.com](http://www.preelectronics.com)  
[sales-uk@preelectronics.com](mailto:sales-uk@preelectronics.com)



[www.preelectronics.com](http://www.preelectronics.com)  
[sales-us@preelectronics.com](mailto:sales-us@preelectronics.com)



[www.preelectronics.cn](http://www.preelectronics.cn)  
[sales-cn@preelectronics.com](mailto:sales-cn@preelectronics.com)



[www.preelectronics.be](http://www.preelectronics.be)  
[sales-be@preelectronics.com](mailto:sales-be@preelectronics.com)

## Head office

Denmark  
PR electronics A/S  
Lerbakken 10  
DK-8410 Rønde

[www.preelectronics.com](http://www.preelectronics.com)  
[sales-dk@preelectronics.com](mailto:sales-dk@preelectronics.com)  
tel. +45 86 37 26 77  
fax +45 86 37 30 85



QUALITY SYSTEM AND ENVIRONMENTAL  
MANAGEMENT SYSTEM  
DS/EN ISO 9001  
DS/EN ISO 14001

