

DESCRIPTION

DIGITAL METER for the following input signals:
 - LOAD CELL ($\pm 300\text{mV}$, $\pm 30\text{mV}$)

JR-C and **JR20-C** models are specially designed for direct connection to load cells, they can be adapted to most existing cells in the market. Easy to scale into desired engineering units, directly by frontal keys or real input signal value in teach mode.

Universal AC/DC voltage supply. Fully configurables through 3 frontal keys, they allow signal input type selection and also provide a **5 or 10V DC** and up to **30mA** load current output for sensor excitation.

4 digit indicator with **14mm** digit and **-9999** to **9999** display range for JR-C and **20mm** digit and **-1999** to **9999** display range for JR20-C, configurable decimal point and 2 led for setpoints status indication (if output 2RE option card is installed).



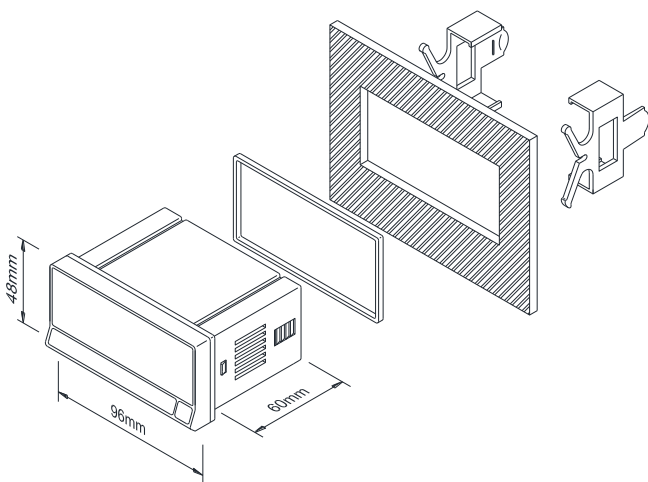
Detection, saving, later recalling and resetting of maximum and minimum values reached by the input signal since last reset activation. Reset function sets automatically memorized value to current input signal value when maximum or minimum value are displayed. Maximum and minimum values recalling to display and reset functions are directly available through frontal keys.

TARE and TARE RESET functions available through frontal key or through a logic (O.C) or contact switch input present at rear connector for a remote activation.

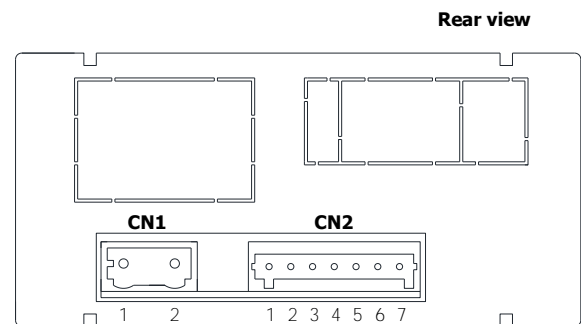
DIMENSIONS AND MOUNTING

Dimensions..... 96 x 48 x 60 mm (1/8 DIN).
 Panel cutout 92 x 45 mm.
 Weight 150g.
 Case material UL 94 V-0 polycarbonate

Instruments include a sealing gasket and 2 fixing clips for frontal and rear panel installation.



CONNECTIONS



CN1	POWER SUPPLY
1	V DC / V AC
2	V DC / V AC
CN2	INPUT SIGNAL
1	-IN (COMMON)
2	+IN (300mV / 30mV)
3	N.C.
4	+TARE
5	- EXC / TARE
6	+EXC
7	N.C.

ORDERING CODES

JR-C: 20-265V AC 50/60Hz and 11-265V DC (14mm digit)
JR20-C: 20-265V AC 50/60Hz and 11-265V DC (20mm digit)

TECHNICAL SPECIFICATIONS

SPECIAL FUNCTIONS

Return to factory configuration.
Software configuration lock-out.

PRECISION

Temperature coefficient 100 ppm/°C
Warm-up time 5 minutes
Specifications range 23°C±5°C

POWER SUPPLY AND FUSES (DIN 41661) (not included)

JR-C: 20-265 V AC 50/60 Hz and 11-265 V DC . F 3A/ 250V
JR20-C: 20-265 V AC 50/60 Hz and 11-265 V DC . F 3A/ 250V
Power consumption (both models) 3W
Sensor excitation (both models) (stabilized) 5V or 10V DC
Maximum load current 30mA

CONVERSION

Technique Sigma-Delta
Resolution 16 bit
Conversion rate 20/s

DISPLAY

Range:
JR-C -9999 ÷ 9999, 14mm RED LED
JR20-C -1999 ÷ 9999, 20mm RED LED
Decimal point Configurable
LEDs 2 for setpoints state indication
Display refresh rate 50ms
Display/input overrange indication "-OuE", "OuE"
Sensor failure indication "OuE"
TARE and TARE RESET functions Through frontal key
Remote TARE function Logic input (O.C.) or contact switch
Remote TARE RESET Logic input (O.C.) or contact switch
MAX./MIN. and MAX./MIN. RESET func. Through frontal key

ENVIRONMENTAL CONDITIONS

Operating temperature -10°C ÷ +60°C
Storage temperature -25°C ÷ +85°C
Relative humidity (non-condensing) <95% @ 40°C
Maximum altitude 2000m
Frontal protection degree IP65

INPUT SIGNAL

Configuration Differential asymmetrical

mV DC input

Input impedance 3MΩ
EMI max. Influence (±30mV) ±6μV
EMI max. Influence (±300mV) ±60μV
Maximum input signal (±30mV) ±32mV
Maximum input signal (±300mV) ±320mV

RANGE	RESOLUTION	ACCURACY
±30mV	1μV	±(0.05%rdg + 6μV)
±300mV	15μV	±(0.05%rdg + 60μV)

FILTER

Cutoff frequency (-3dB) 1.20Hz to 0.18Hz
Slope -20dB/Dec.

2RE OPTION

Maximum switching current (resistive load) 8A
Maximum switching power 2000VA / 192W
Maximum switching voltage 400VAC / 125VDC
Contact rating 8A @ 250VAC / 24VDC
Contact resistance ≤ 100mΩ at 6V DC @ 1A
Contact type SPDT
Operate time ≤ 10ms

