

# PI CA40-LP

## INSTRUCTIONS MANUAL



### DESCRIPTION

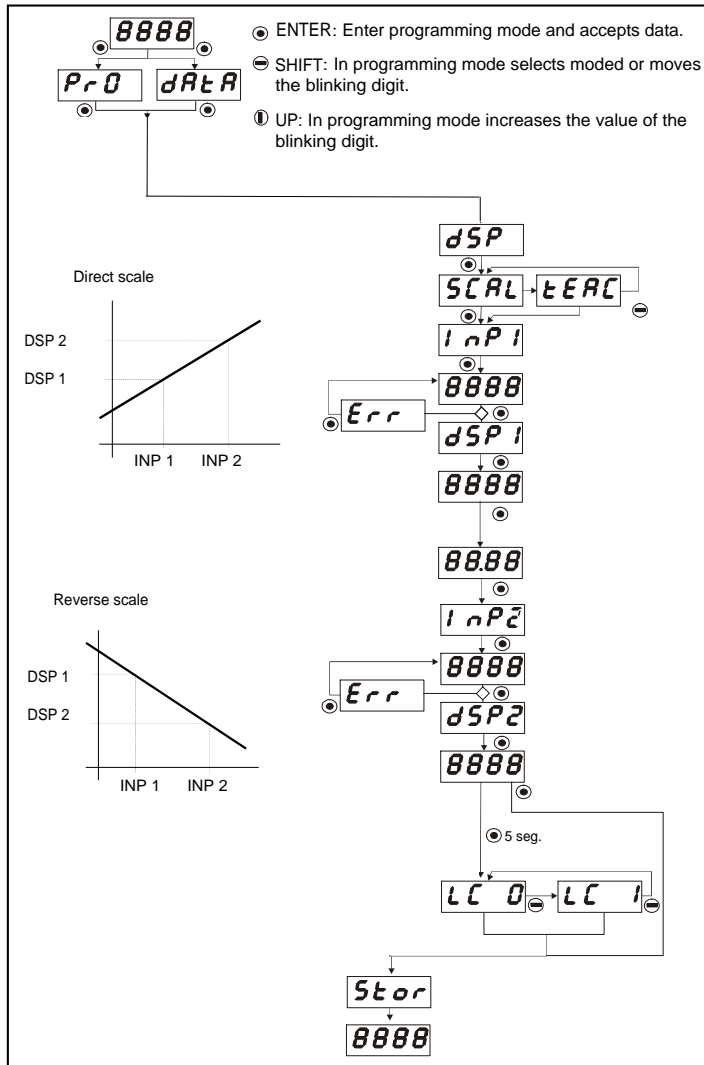
- SELF POWERED INDICADOR for:
- PROCESS (4-20 mA DC)

### 48 x 24 mm front panel

Panel instrument powered by the process loop signal 4-20 mA DC.  
Display of 4 high efficiency and low consumption digits.  
Display range fully programmable as well as decimal point position.

### PROGRAMMING

Display range: ..... -1999 ÷ 9999



**SCAL:** Programming method introducing **InP1** and **InP2** values by keyboard.  
**tEAC:** Programming method where instrument learns actual values of **InP1** and **InP2**.  
**InP1** , **InP2** : Input signal values corresponding to desired display **dSP1** and **dSP2** .  
**dSP1**: Display value corresponding to **InP1**.  
**dSP2**: Display value corresponding to **InP2**.  
**LC 0:** Programming unlocked.  
**LC 1:** Programming totally locked. (Show all parameters like **dAtA**) .  
**Err:** Error on programmed parameter.  
**Stor:** Stores the whole configuration parameters.

### WARRANTY

All products are warranted against defective material and workmanship for a period of three years from date of delivery.  
 If a product appears to have a defect or fails during the normal use within the warranty period, please contact the distributor from whom you purchased the product.  
 This warranty does not apply to defects resulting from action of the buyer such as mishandling or improper interfacing.  
 The liability under this warranty shall extend only to the repair of the instrument; no responsibility is assumed by the manufacturer for any damage which may result from its use.

### TECHNICAL SPECIFICATIONS

#### INPUT CURRENT

Range +4mA to +20mA  
 Resolution ± 0.01mA

#### VOLTAGE DROP-OUT ON INPUT LOOP

4mA – 20mA..... < 5 V

#### INPUT IMPEDANCE

mA..... 10 Ω

#### ACCURACY @ 23°C ±5°C

Error Max..... ±(0.1% of reading + 3 digits)  
 Temperature coefficient..... 100 ppm/°C  
 Warm up..... 5 minutes

#### SUPPLY

Self powered by the 4-20mA loop signal

#### CONVERSION

Technical..... single slope  
 Resolution..... 16 bits  
 Rate..... 62/s

#### DISPLAY

Programmable range..... -1999 ÷ 9999  
 Type..... 4 Digit, 0.4" (10 mm) red  
 Presentation rate..... 2/s  
 Over scale indication..... **00E**

#### ENVIRONMENTAL

Operating temperature..... -10°C ÷ +60°C  
 Storage temperature..... -25°C ÷ +85°C  
 Relative humidity (non condensed)..... <95% ÷ 40°C  
 Max. Altitude..... 2000 m.  
 Panel sealing..... IP65

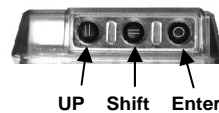
### INSTALLATION AND CONECTION

#### DIMENSIONS

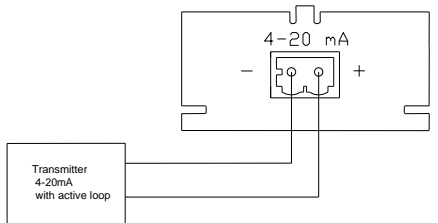
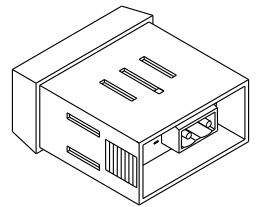
Dimensions..... 1/32 DIN 48 x 24 x 40 mm.  
 Panel cut-out..... 45 x 22 mm.  
 Weight..... 50 g.  
 Case material..... Polycarbonate s/ UL 94 V-0



Keyboard detail (bottom view)



UP Shift Enter



#### WARNING

In order to guarantee electromagnetic compatibility, the following guidelines for cable wiring must be followed:  
 Use shielded cable for signal wiring and connect the shield to ground.  
 The cable section must be ≥ 0.25 mm<sup>2</sup>

**CLEANING:** The frontal cover should be cleaned only with a soft cloth soaked in neutral soap product.

**DO NOT USE SOLVENTS**

Manufacturer: DITEL - Diseños y Tecnología S.A.  
 Address: Travessera de les Corts, 180 08028 Barcelona ESPAÑA  
 Declares, that the product:  
 Description: Digital panel meter  
 Model: **PICA40-LP**



Conforms with the directives:	EMC 89/336/CEE LVD 73/23/CEE
<b>EN 61000-6-2</b> EN 61000-4-2	Generic immunity Electrostatic discharge Air discharge 8kV Contact discharge 4kV
EN 61000-4-3	Electromagnetic fields RF 10V/m
EN 61000-4-4	Fast transients Power supply Lines 2 kV Signal Lines 1 kV
EN 61000-4-6	RF conducted interferences 10 V rms
<b>EN 61000-6-3</b>	Generic emission EN 55022/ CISPR22
<b>EN 61010-1</b>	General safety Insulation type Enclosure: Double

Date: 10-03- 2005  
 Signed: José M. Edo  
 Charge: Director Técnico



02-12-2005

**MTS Messtechnik Schaffhausen GmbH**  
 CH-8260 Stein am Rhein  
 Telefon +41 52-672 50 00

Messen Prüfen Automatisieren [www.mts.ch](http://www.mts.ch)