

# PI CA40-LP

LOOP POWERED

## DESCRIPTION

LOOP POWERED INDICATOR

- PROCESS (4-20 mA).

**48x24 mm front**

Panel instrument for 4-20 mA loop signals measurement  
Fully programmable.  
Display range -1999 to 9999, programmable decimal point.  
Keys situated below the display.

## PICA40-LP



## TECHNICAL CHARACTERISTICS

Range ..... 4-20 mA  
Resolution ..... 0.01mA

### INPUT IMPEDANCE

mA ..... 10 Ω

### ACCURACY at 23°C ±5°C

Max Error..... ±(0.1% of reading + 3 digits)  
Temperature coefficient..... 100 ppm/°C  
Warm up..... 5 minutes

### POWER SUPPLY

Loop power supply  
Loop drop (4- 20 mA)..... < 5V

### CONVERSION

Technical ..... Single slope  
Resolution ..... 16 bits  
Rate ..... 62/ s

### DISPLAY

Range..... -1999 ÷ 9999  
Type..... 4 red digits 10mm  
Reading rate..... 2/s  
Overflow indication..... **DU E**

### ENVIRONMENTAL

Operating temperature..... -10°C ÷ +60°C  
Storage temperature..... -25°C ÷ +85°C  
Relative humidity (non condensed)..... <95% ÷ 40°C  
Maximum altitude..... 2000m.  
Panel sealing..... IP65

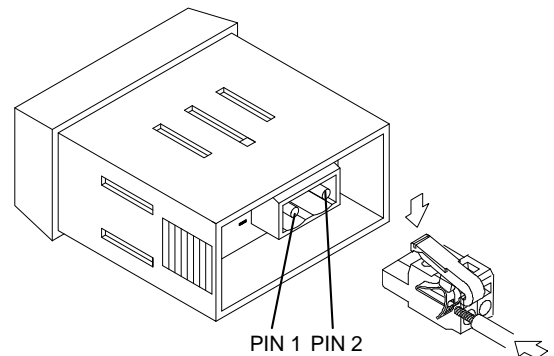
## PROGRAMMING

Display range: ..... -1999 to 9999



KEYBOARD DETAIL (BOTTOM VIEW)

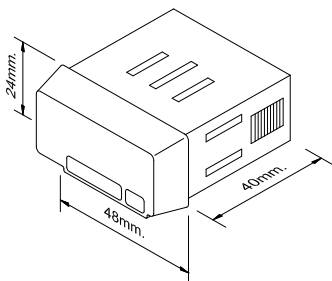
## CONNECTIONS



PIN 1 PIN 2

## DIMENSIONS AND MOUNTING

Dimensions ..... 48 x 24 x 40 mm.  
Panel cutout ..... 22 x 45 mm.  
Weight ..... 50 g.  
Case material ..... Polycarbonat s/ UL 94 V-0



CN1

INPUT SIGNAL

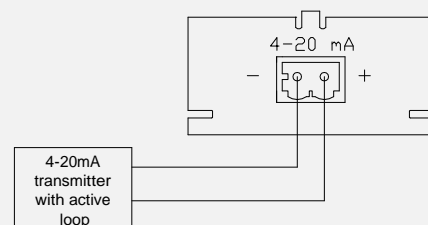
PIN

1

(-) 4 - 20 mA Loop

2

(+) 4 - 20 mA Loop



**Messtechnik Schaffhausen GmbH**

Mühlenstrasse 4, CH-8260 Stein am Rhein, Telefon +41 52-672 50 00, Telefax +41 52-672 50 01, www.mts.ch, e-mail: info@mts.ch

Messen Prüfen Automatisieren [www.mts.ch](http://www.mts.ch)