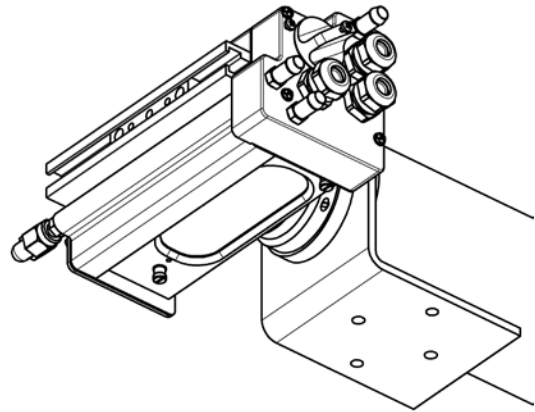


SC15 HD

Scanner SC15 HD

- Type of protection IP65
- Scanning angle 90° up to **1001 positions**
- Scanning speed up to **900°/s**
- Operating modes: Interface, Stand-Alone



GENERAL SPECIFICATION

Scanning angle:	■ 90° (0 to ± 45°), up to 1001 positions
Spectral response:	■ 0.5 µm to 20 µm (specific windows)
Emissivity:	■ Angle-based emissivity adjustment
Scanning speed:	■ 1 ... 900°/s
Step precision:	■ < 0.014°
Serial interface (configurable):	■ RS232 (up to 230 kbps) or ■ RS485 (up to 921 kbps)
Service interfaces:	■ RS232 ■ USB 2.0 (for start-up and configuration)
Operating voltage:	■ Alternating voltage: 12 VAC (-10%) ... 24 VAC (+10%) ■ Direct voltage: 10.5 VDC ... 30 VDC
Power consumption:	■ ≤ 7 W
Permissible ambient temperature:	■ -20 ... 70 °C or rather up to 180 °C if cooled with water
Water cooling:	■ Maximum water pressure: 4 bar ■ waterflow: 0.5 ... 2.5 l/min ■ Coolant temperature: 25 °C
Permissible storage temperature:	■ -20 ... 80 °C
Type of protection:	■ IP65 (IEC)
Housing:	■ Stainless steel, aluminium
Air purge:	■ Recommended air pressure: 0.3 ... 0.5 bar (oil-free and waterless air) ■ Airflow: 3 ... 5 m³/h
Weight:	■ 1.65 kg
Software:	■ ScanConfig: Software for parameter setting □ ScanPerfect: Software for parameter setting, Measurements are possible in connection with a HEITRONICS Infrared Radiation Thermometer

- | |
|---|
| <ul style="list-style-type: none"> ■ Standard function □ Option |
|---|

SC15 HD

RANGE OF FUNCTIONS

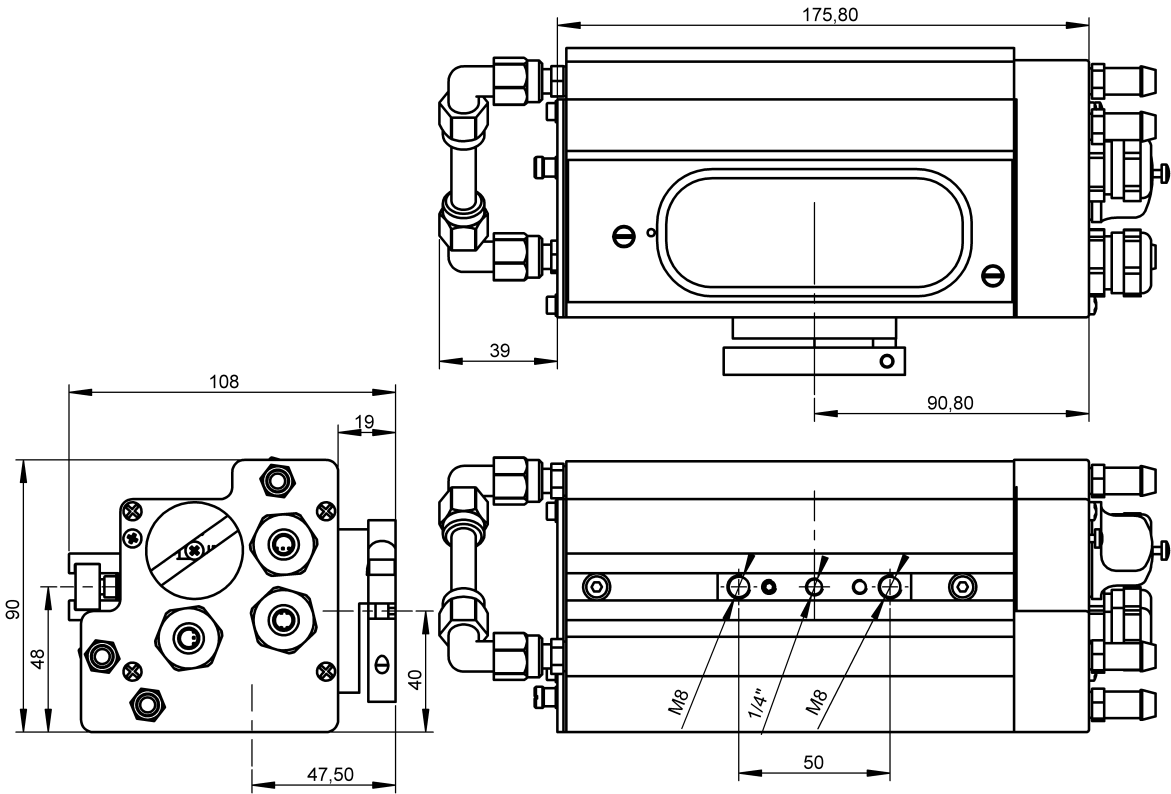
Digital input: Controlling of Scanner, selection of parameter, start of measuring process

Digital output: Status of scanning process

APPLICATIONS

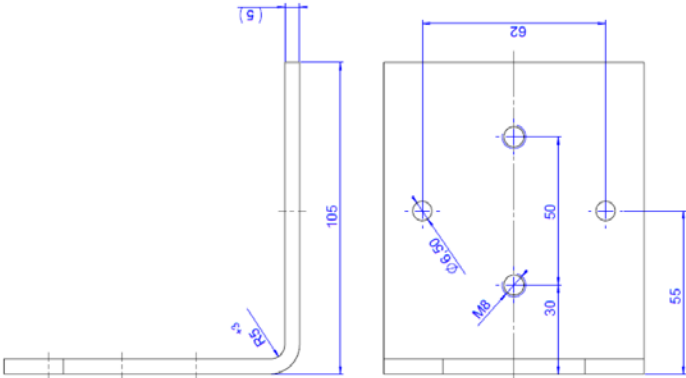
Glass, paper, foil, iron, steel, brass etc.

DIMENSIONS



240 x 108 x 90 mm (l x w x h)

ACCESSORIES (on demand)



Bracket to mount the Scanner onto the production plant



Protective cooling jacket WK15