



GÜNTHER^{GmbH}

Temperaturmesstechnik



MTS Messtechnik Schaffhausen GmbH
Mühlenstrasse 4, CH-8260 Stein am Rhein
Telefon +41 52-672 50 00
Telefax +41 52-672 50 01
www.mts.ch, e-mail: info@mts.ch



Messen Prüfen Automatisieren www.mts.ch

**Product category 54-WFL
Resistance Thermometers
with Welded Blank Flanges**

54-WFL

Resistance Thermometers with Welded Blank Flanges



Application Examples for Resistance Thermometers with Welded Blank Flanges

-  Waste Recycling / Incineration
-  Plant and Machine Construction
-  Automobile Industry
-  Chemical Industry
-  Laboratories
-  Energy Production

54-WFL

Resistance Thermometers with Welded Blank Flanges

Resistance thermometers with welded blank flanges (54-WFL) are used for temperature measurements in gaseous or fluid media such as air, steam, water or oil.

Distinctive characteristic of these sensors is a blank flange welded to or onto the protective tube, most commonly pursuant to DIN EN 1092, enabling a sealed connection of the sensor with the respective wall of an over- or under-pressure facility as can be found in power plants, for example.

Both the employed protection tube and the blank flanges should consist of the same material if possible.

When particularly quick recognition of temperature changes are required, we recommend the use of sensors with a tapered protective tube tip.

For specialised applications (precision, long-term stability, etc.) we recommend the application of precision resistors with narrowed tolerance.

Resistance values and tolerances of our resistance thermometers are pursuant to DIN EN 60751.

Our resistance thermometers are also available in explosion protected ATEX models.





1 Connection Head

A	BUSH
B	BUZH
BUS	DL / MA
BUZ	

2 Blank Flanges Pursuant to DIN EN 1092

DN 10 - DN 100	PN 16
Material:	
Mat. No. St37-2	Mat. No. 1.4571
Mat. No. C22.8	Alloy C4

3 Protective Tube (Materials/Dimensions)

St. 35.8	Mat. No. 1.0305
Stainless Steel	Mat. No. 1.4571
X10Cr Al 24	Mat. No. 1.4762
X15CrNi Si 25 20	Mat. No. 1.4841
Inconel	Mat. No. 2.4816
Kanthal	
Alloy C4	
Diameter:	6 - 22 mm
Wall:	0,75 - 3 mm

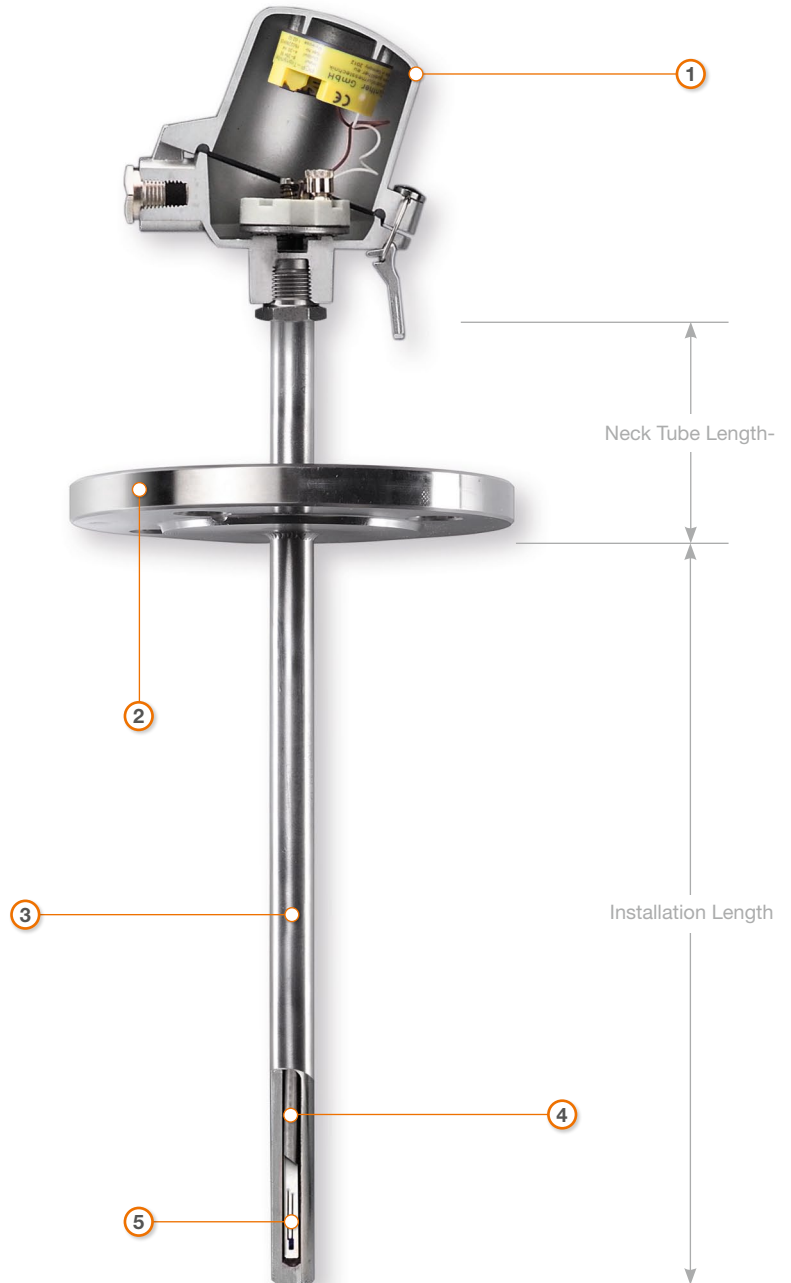
4 Mineral-Insulated Gauge Slide

Mantle Diameter:	2,0 - 8,0 mm
Tip Diameter:	2,0 - 10,0 mm
Connection:	
1 x Pt100 up to 3 x Pt100 Ohm	
2-Wire up to 4-Wire	

5 Configuration

Straight
or Tapered to between 6 and 15 mm

Example of a common implementation in this product line



Individual Solutions such as, for example materials, process connectors, accessories, etc. not listed here, are often viable.

Please contact us for further information!

