

2-WIRE PROGRAMMABLE TRANSMITTER



- Input for RTD, TC, mV, linear resistance, mA, and V
- 3.75 kVAC galvanic isolation
- 4...20 mA loop output
- 1- and 2-channel versions
- ATEX Ex version
- DIN rail mounting



Application:

Electronic temperature measurement with resistance sensor or thermocouple sensor. • Ex barrier for temperature sensors, potentiometers and current / voltage signals. • Conversion of current signals from supplied transmitters to 2-wire 4...20 mA signals. • Amplification of mV signals. • Conversion of linear resistance variation. • Galvanic isolation of analogue signals. • Measurement of floating signals. • Linearisation of non-linear Ohm, mV, mA, or voltage signals. • Separation of circuits in PELV/SELV installations.

Technical characteristics:

The unit is based on a microprocessor core with an efficient program operation. The basic calibration data and present set-up are stored in an EEPROM thereby avoiding the loss or change of data at power off. The 2-channel version has a full galvanic isolation between the channels. By way of a jumper on the PCB, the input in the standard version can be programmed either for a temperature or a current / voltage input. This means that one channel can work as for instance a temperature transmitter and the other can work as an isolation amplifier. Measurement range, signal parameters, and output span are configured to the present task by way of a PC and PR electronics A/S' communications interface Loop Link.

Input types:

Temperature input - jumper in position 1:

Thermocouple input (TC) for standard thermocouples type B, E, J, K, L, N, R, S, T, U, W3, W5, LR according to the norms IEC 584, DIN 43710, ASTM E988-90 and GOST 3044-84.

The CJC can be selected in 3 different ways: internally in the terminal, externally by way of a Pt100/Ni100 sensor, or externally with a constant temperature. If internal compensation is selected, a terminal with a built-in temperature sensor must be ordered separately (PR type no. 5910 and 5913). Sensor error detection is available.

RTD input for Pt100...Pt1000 according to the norm IEC 751 and Ni100...Ni1000 according to the norm DIN 43760. Automatic cable compensation at a 3 or 4-wire connection. At a 2-wire connection, the cable resistance can be entered or measured by the configuration program and sent to the module which then compensates by the entered cable resistance. Sensor error detection is available.

Resistance input for resistance measurement with cable compensation as described under the RTD input. Sensor error detection is available.

The mV input is programmable in the range -150...+150 mV.

Current / voltage input - jumper in position 2:

The current input is programmable in the range 0...100 mA, for instance 4...20 mA.

The voltage input is programmable in the range 0...250 VDC.

Output:

Standard loop 4...20 mA current output. The output signal is proportional and linear to the value of the input signal. Special set-ups can be selected in the configuration program, for instance a customised linearisation, a reversed output, a limiter according to the selected output span, and selection of an output value in case of a sensor error. Maximum load on the current output is 1375 Ω.

Sensor error detection:

The output can be set up at a RTD-, thermocouple and linear resistance input to go to *max.*, to *min.*, *entered value*, NAMUR NE43 *Upscale* or *Downscale* at sensor error detection.

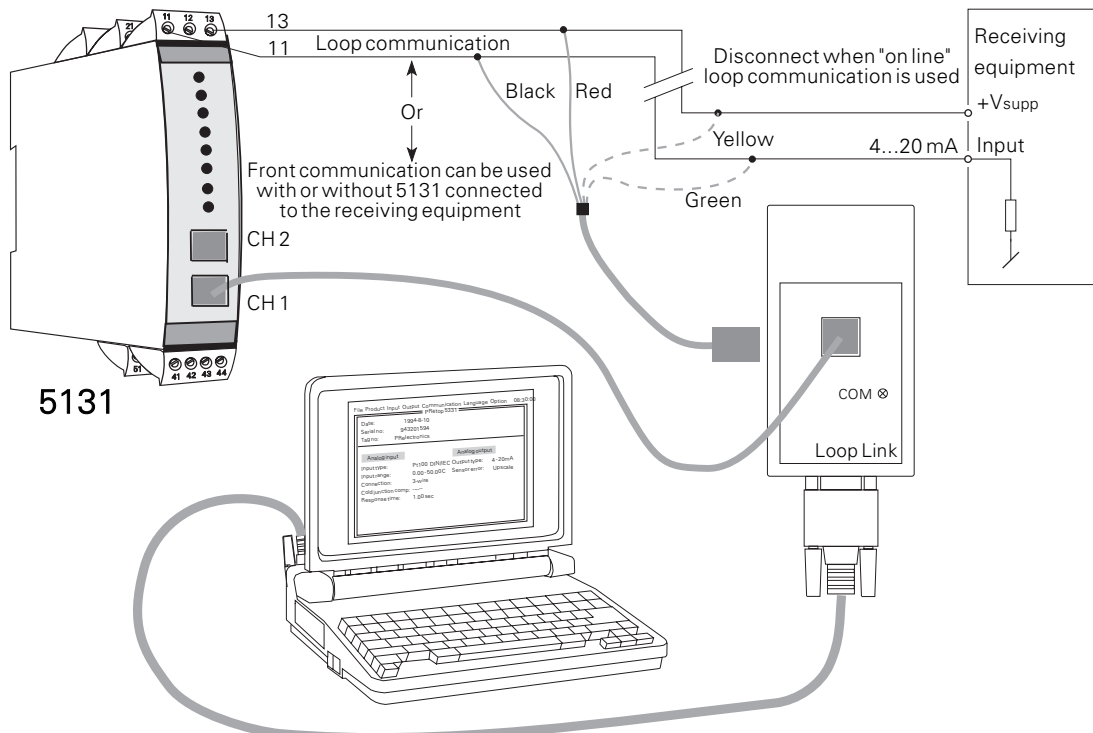
Configuration:

The transmitter is configured to the present task by way of a PC and PR electronics A/S' communications interface Loop Link. The transmitter can be configured with or without a connected supply voltage as the communications interface supplies the necessary voltage to the set-up. The communications interface is galvanically isolated to protect the PC port. Communication is 2-way to allow the retrieval of the transmitter set-up into the PC and to allow the transmission of the PC set-up to the transmitter. For users who do not wish to do the set-up themselves, the 5131 can be delivered configured according to customer specifications: input type, measurement range, sensor error detection, and output signal.

Configuration index for the 5131 programmable transmitter:
(Use this as a checklist when ordering configured units)

TEMPERATURE INPUT TC / RTD / Linear resistance / mV				CURRENT / VOLTAGE INPUT mA / Voltage	
RTD type: Pt100 (DIN/IEC) Ni100	Thermocouple type: Type B : Pt30%Rh-Pt6%Rh Type E : NiCr-CuNi Type J : Fe-CuNi Type K : NiCr-Ni Type L : Fe-CuNi Type N : NiCrSi-NiSi Type R : Pt13%Rh-Pt Type S : Pt10%Rh-Pt Type T : Cu-CuNi Type U : Cu-CuNi Type W3 : W3%Re/W25%Re Type W5 : W5%Re/W26%Re Type LR : Fe-CuNi	Linear resistance range: (30 Ω ≤ range ≤ 5000 Ω)	mV range: 5 mV ≤ range ≤ 150 mV	mA input range: 4 mA ≤ range ≤ 100 mA	Voltage input range: 50 mV ≤ range ≤ 250 VDC
Specify range °C: ____	Specify range °C : ____	Specify range Ω: ____	Specify range mV: ____	Specify range mA: ____	Specify range mV/V: ____
RTD connection: 2-wire, no compens. 2-wire, fixed line res. 3-wire compensation 4-wire compensation Specify connection: ____	CJC: Internal CJC (Pt100): External CJC (Pt100): External CJC (Ni100): Fixed external CJC: (Specify °C) ____	Resistance connection: 2-wire, no compensation: 2-wire, fixed line resistance 3-wire compensation: 4-wire compensation: Specify connection: ____	Linearisation No linearisation: Customer linearisation (specify):		
OUTPUT					
mA output: 4...20 mA					
Response time: 500/1000 ms ≤ response time ≤ 60 s (min. response time depending on input type)					
Sensor error action:					
Selected value NAMUR NE43 Upscale NAMUR NE43 Downscale			Output to max. Output to min. No sensor error		

5131 connection to Loop Link:



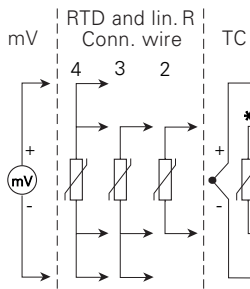
Order: 5131

Type	Version	Input	Channels
5131	Standard : A	RTD / TC / R / mA / V / mV : -	Single : A
	ATEX Ex : B	RTD / TC / mV / R : 1 mA / V / mV : 2 Channel 1, RTD / TC / mV / R : 3 Channel 2, mA / V / mV	Double : B

Note! For TC inputs with internal CJC, remember to order the CJC connectors type 5910 / 5910 EEx (ch. 1) and 5913 / 5913 EEx (ch. 2).

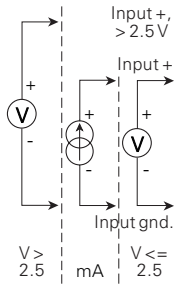
Block diagram:

Channel 1 shown as a temperature input:



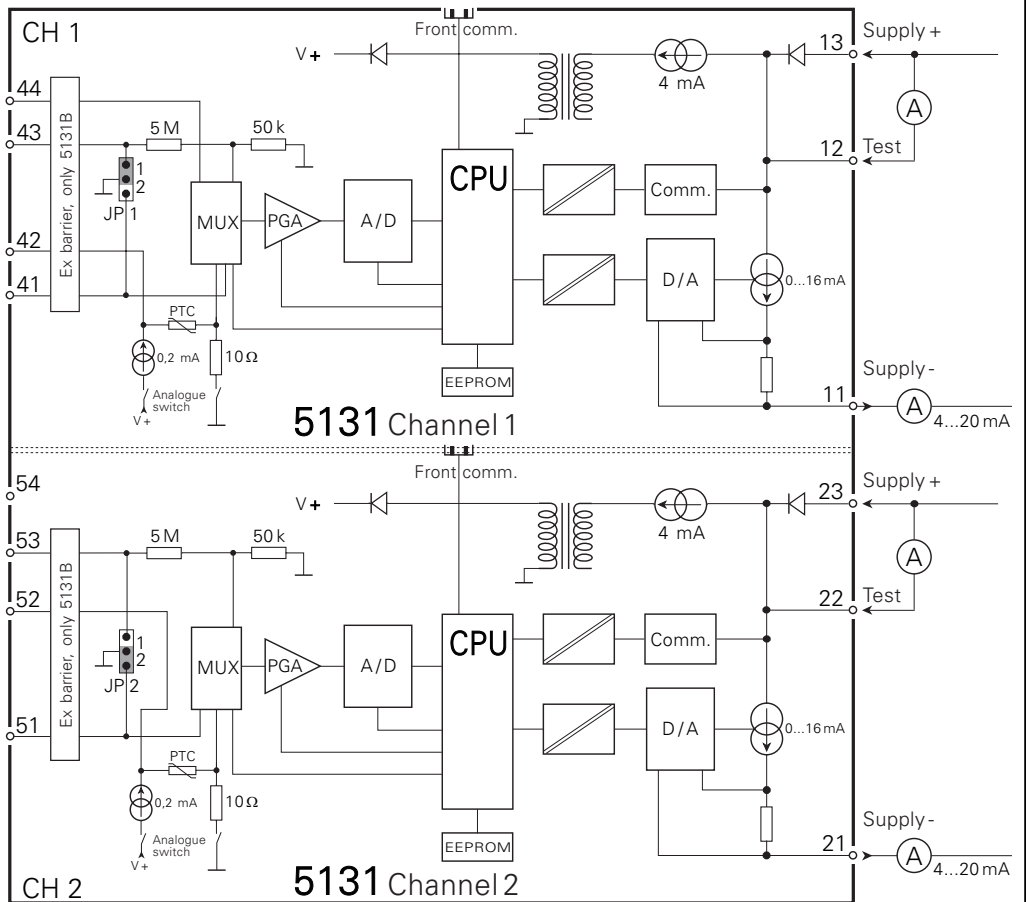
!! If channel 2, use terminal no. 54...51

Channel 2 shown as a current/voltage input:



!! If channel 1, use terminal no. 44...41

* Accessories: 5910 CJC connector CH 1, 5913 CJC connector CH 2.



Selection of input type: (5131A)

Input	JP 1	JP 2
Temperature channel 1	1	-
Temperature channel 2	-	1
Current / voltage channel 1	2	-
Current / voltage channel 2	-	2